

User manual

MANUEL D'UTILISATION
GEBRUIKSAANWIJZING
GEBRAUCHSANWEISUNG
MANUALE DI ISTRUZIONI
MANUAL DE INSTRUCCIONES
INSTRUKCJA OBSŁUGI
NÁVOD K OBSLUZE

Normandie Languedoc Normandie 2F



EN

Instructions for specialist dealer

This instruction manual is part and parcel of the product and must accompany every product sold.

Version: B, 2022-10

FR

Instructions pour les distributeurs

Ce manuel d'instructions fait partie du produit et doit accompagner chaque produit vendu.

Version : B, 2022-10

NL

Instructies voor de vakhandelaar

Deze handleiding is deel van het product en dient bij iedere product te worden geleverd.

Versie: B, 2022-10

DE

Hinweise für den Fachhändler

Diese Gebrauchsanweisung ist Bestand-teil des Produkts und ist bei jeder Produkts auszuhändigen.

Version: B, 2022-10

IT

Istruzioni per il rivenditore

Il presente Manuale di istruzioni è parte integrante del prodotto e deve essere fornito assieme alla prodotto.

Versione: B, 2022-10

ES

Instrucciones destinadas a los distribuidores especializados

El presente manual de instrucciones es parte integrante del producto y se debe adjuntar a todas las producto que se vendan.

Versión: B, 2022-10

PL

Instrukcje dla wyspecjalizowanego sprzedawcy

Niniejsza instrukcja obsługi jest nieodłączną częścią produktu i musi być dołączona do każdego sprzedawanego produktu.

Wersja: B, 2022-10

CS

Pokyny pro specializovaného prodejce

Tento návod k obsluze je součástí dodávky a musí být součástí každého prodaného produktu.

Verze: B, 2022-10

All rights reserved, including translation.

Tous droits réservés, y compris la traduction.

Alle rechten, inclusief vertaling, voorbehouden.

Alle Rechte, auch an der Übersetzung, vorbehalten.

Tutti i diritti riservati (anche sulla traduzione).

Todos los derechos reservados, incluidos los de la traducción.

Wszelkie prawa zastrzeżone, łącznie z tłumaczeniem.

Všechna práva vyhrazena, včetně překladu.



English

Français

Nederlands

Deutsch

Italiano

Español

Polski

Czech

User manual

Manuel d'utilisation

Gebruiksaanwijzing

Bedienungshandbuch

Manuale di istruzioni

Manual de instrucciones

Instrukcja obsługi

Návod k obsluze

This page is intentionally left blank



Contents

Contents	1
Preface	2
1 This product	3
2 Before use	4
2.1 Intended use	4
2.2 General safety instructions.....	4
2.3 Symbols on the chair.....	4
2.4 Assembly/Disassembly	5
2.5 Transport and storage	5
3 Using this chair	6
3.1 Transfer into and out of the chair	6
3.2 Comfort adjustments	6
3.3 Running wheels / Parking brakes (only with wheels)	8
4 Maintenance	9
4.1 Points of maintenance.....	9
4.2 Instructions for maintenance	9
4.3 Expected lifespan.....	9
4.4 Reuse.....	9
4.5 End of use.....	10
5 Technical specifications	11

Preface

Thank you for your trust in the products of Vermeiren. To support you on the use of this comfort chair and its operating options, this manual is offered. Please read it carefully; it will help you to get familiar with the operation, capabilities and limitations of your chair.

If you still have questions after reading this manual, do not hesitate to contact your specialist dealer. He/she will be glad to help you.

Important note

To ensure your safety and to prolong the lifetime of your product, please take good care of it and have it checked and serviced on a regular basis.

This manual reflects the latest product developments. Vermeiren has the right to implement changes to this type of product without being imposed to any obligation to adapt or replace similar products previously delivered.

Pictures are used to clarify the instructions in this manual. Details of the depicted product may deviate from your product.

Information available

On our website <http://www.vermeiren.com/> you will always find the most recent version of the information in this manual. Please consult this website regularly for possible updates.

Visually impaired people can download the electronic version of this manual and have it read out by means of a text-to-speech software application.



This instruction manual
For user and specialist dealer



Service manual
For specialist dealer



EC declaration of conformity

1 This product



1. Base frame
2. Adjustable backrest
3. Removable seat
4. Height adjustable armrests
5. Arm pads
6. Leg rest
7. Inclination lever (Normandie 2F: 2 levers)
8. Transport wheels
9. Wheels (optional)
10. Push bar (optional)
11. Identification plate



2 Before use

2.1 Intended use

i In this paragraph a brief description of the intended use of your comfort chair is given. Additionally, relevant warnings are added to the instructions in the other paragraphs. In this way we would like to make you aware of the possible misuse that may appear.

- The comfort chair is intended to be used by the elderly, during revalidation, or by patients suffering from paralysis.
- This comfort chair is suitable for indoor use only, on flat, level grounds.
- This chair is designed and produced solely as seat and resting place for one (1) person with a maximum weight of 130kg. It is not designed for transport of goods or objects, nor for any other use as previously described.
- If applicable, only use accessories and spare parts approved by Vermeiren.
- Please read all technical details and limits of your chair in §5.
- The warranty on this product is based on normal use and maintenance as described in this manual. Damage to your product caused by improper use or lack of maintenance will cause the warranty to lapse.

2.2 General safety instructions




 CAUTION Risk of injuries and/or damage

Keep the following general warnings in mind during use:

- Be aware that some parts of this chair may get very hot or cold due to ambient temperature, solar radiation, heating devices. Be careful when touching. Use protective clothing if the weather is cold.
- Be careful when using possible causes of fire such as cigarettes since they may set the seat and back covers alight.
- Do not modify this shell chair in any way.

2.3 Symbols on the chair

The symbols in following list are applicable for your chair. Symbols can be found in the relevant ISO standard (ISO 7000, ISO 7001 and IEC 417).

	Maximum weight of user in kg
	Indoor use only
	Type designation

The comfort chair complies to the requirements set up in:

EN 1021-1, EN1021-2: Resistance to ignition of upholstered parts

2.4 Assembly/Disassembly

Upon delivery of the comfort chair, the seat and backrest have to be installed before use. The seat and backrest can also be removed for easy transport.

2.4.1 Backrest

1. Place the backrest tubes over the frame tubes.
2. Press the spring button (1) to slide the backrest down.
3. Push the backrest all the way down until it is secured into place.

To remove the backrest, press the spring button beneath the upholstery and pull the backrest upwards until it detaches from the frame.



2.4.2 Seat

1. Place the hooks on the rear side of the seat over the frame tube close to the backrest.
2. Push down on the front side of the seat to fix it into place. You will hear a click.

To remove the seat, pull off the front of the seat until it detaches from the frame.

2.5 Transport and storage

 CAUTION Risk of injuries and damage

- Pay attention when passing with the chair through narrow passages.
- Make sure the passage is clear from objects, obstacles and persons.

2.5.1 Moving aside

1. Check that the brakes of the comfort chair are engaged (only with wheels, see §3.3).
2. Transfer the patient out the chair.
3. Disengage the brakes (only with wheels).
4. Place the backrest into the upright position.
5. Transport the chair to the desired place on a horizontal underground.
 - a) *With wheels*: Move the comfort chair by using its wheels and roll it to its destination.
 - b) *Without wheels*: Ask help to lift the chair with two persons. Firmly grasp the frame with both hands and lift it from the floor. Do not use leg rest(s), armrests, wheels or seat to grasp the chair.
6. Engage the brakes (only with wheels).

2.5.2 Storage

 CAUTION Risk of damage

Make sure that your comfort chair is stored dry to prevent mould from growing and the upholstery from being damaged, see also technical details in §5.

3 Using this chair



WARNING

Risk of injuries

- First read previous chapters and inform yourself about the intended use. Do NOT use your chair unless you have read and fully understood all instructions.
- In case of doubts or questions, do not hesitate to contact your local specialist dealer, your care provider or technical adviser to help you on this.



CAUTION

Risk of injuries and/or damage

- Make sure that your fingers, clothes, belts, buckles or jewellery won't get caught by moving parts, during assembly, use or adjustment.

3.1 Transfer into and out of the chair



CAUTION

Risk of injuries or damage

- In case you cannot perform the transfer in a safe manner, ask someone to assist you.
1. Check that the brakes of the comfort chair are engaged (only with wheels, see §3.3).
 2. Place the comfort chair in its most upright sitting position.
 3. Transfer to/out of the chair. Place the arm pad at the same height as the seat cushion for a sideways transfer (see paragraph 3.2.3).

3.1.1 Correct position in the chair

Sit down on the seat with the lower back against the backrest.

3.2 Comfort adjustments



CAUTION

Risk of injuries or damage

- Always apply the brakes before adjustments (only with wheels, see §3.3).

3.2.1 Backrest inclination Normandie/Languedoc



CAUTION

Risk of injuries or damage

- Be sure that the comfort chair does not tip over backwards when it is placed in its most backwards position.
- Make sure that no objects or individuals are in the adjusting area (see entrapment zones).

The angle of the backrest and the leg rest can be adjusted by means of a gas spring.

Entrapment zones are indicated in the figure below by (1).

To incline the comfort chair:

1. Engage the brakes (only with wheels, see §3.3).
2. To incline the backrest, pull the lever (2) and push against the backrest until you reach the desired position. Let go of the lever to block the backrest into position. For Normandie, the backrest and leg rest incline simultaneously. (Backrest inclination: 13° - 45°; leg rest inclination: 0° - 90°)
3. To reduce the backrest and leg rest inclination, pull the lever (2) and let the backrest and leg rest return to the desired position. Let go of the lever to block the backrest and leg rest into position.





3.2.2 Backrest and leg rest inclination Normandie 2F

 CAUTION Risk of injuries or damage

- Be sure that the comfort chair does not tip over backwards when it is placed in its most backwards position.
- Make sure that no objects or individuals are in the adjusting area (see entrapment zones).

The angle of the backrest and the leg rest can be adjusted separately by means of a gas spring. Entrapment zones are indicated in the figure above by (1).

To incline the comfort chair:

1. Engage the brakes (only with wheels, see §3.3).
2. To incline the backrest, pull the *upper* lever (2) and push against the backrest until you reach the desired position. Let go of the lever to block the backrest into position. (Backrest inclination: 13° - 45°; leg rest inclination: 0° - 90°)
3. To incline the leg rest, pull the *lower* lever (3) and place the leg rest in the desired position.
4. To reduce the backrest and/or leg rest inclination, pull the lever (2 or 3) and let the backrest and leg rest return to the desired position. Let go of the lever to block the backrest and leg rest into position.



3.2.3 Adjusting the armrests

The armrests can be adjusted in height and can be lowered to the height of the seat frame for the sideways transfer of the patient.

1. Pull the lever of the armrests (3) upwards (in the direction of the arm pad).
2. The locking spring will be released and the armrest can be moved within the armrest socket (4) into the desired position (range 114 mm, steps of 19 mm).

 CAUTION Risk of injuries

- If the locking spring is guided outside the armrest socket (4), the armrest is not locked. Use this position only for the sideways transfer of the patient.

For sideways transfer of the patient:

Pull the lever (3) and guide the armrest down to the lowest possible position.

Now the arm pad comes at the same height of the seat cushion.



3.3 Running wheels / Parking brakes (only with wheels)

 CAUTION Risk of injuries or damage

- Lock all four wheels in place to put the comfort chair in a parking position.
- Make sure that the comfort chair is on a flat horizontal surface before releasing the brakes. Never release all the brakes simultaneously.



5 Engaging the parking brakes
With your foot, press the brake plate of the wheels downwards until it locks into place. The wheels cannot roll.

6 Disengaging the parking brakes
With your foot, press the brake plate of the wheels in the direction of the frame. The wheels have now been released and can both roll and swivel.

4 Maintenance

- i** Regular care ensures that your comfort chair is preserved in a perfectly functional condition. For the maintenance manual, refer to the Vermeiren website: www.vermeiren.com.

4.1 Points of maintenance

 CAUTION Risk of injuries and damage

Repairs and replacements may only be undertaken by trained persons and only genuine replacement parts of Vermeiren should be used.

- i** The last page of this manual contains a registration form for the specialist dealer to record each service.

The service frequency depends on the frequency and intensity of use. Contact your dealer to agree to a common timetable for inspection/maintenance/repair.

Before each use

Inspect the following points:

- All parts: Present and undamaged or unworn.
- All parts: Clean, see § 4.2.1.
- Wheels, backrest, seat: Well secured.
- Working of gas springs, brakes, armrests.
- Wheels/tyres; keep them free of wires, hair, sand, fibres and other contamination (oil, mud).
- Condition of frame parts: No deformation, instability, weakness or loose connections
- Upholstery, seat cushion, calf-rest cushion: No excessive wear (like dented spots, damage or tears).

Contact your specialist dealer for possible repairs or part replacements.

4.2 Instructions for maintenance

4.2.1 Cleaning

 CAUTION Risk of damage

Never use a steam cleaner to clean the chair.

Wipe all rigid parts of the chair frame with a damp cloth (not drenched). If necessary, use a mild soap, suitable for varnishes and synthetics.

The upholstery can be cleaned with lukewarm water and a mild soap. Do not use abrasive cleaning agents, sponge, or hard brush to clean.

4.2.2 Disinfection

 CAUTION Risk of damage

Disinfections may only be undertaken by trained persons. Consult your specialist dealer.

4.3 Expected lifespan

The average lifespan of your comfort chair is 5 years. Depending on the frequency of use and maintenance, the lifespan of your comfort chair will increase or decrease.

4.4 Reuse

Before each reuse, have the comfort chair disinfected, inspected and serviced according to the instructions in §4.1 and §4.2.



4.5 End of use

At end of life, you need to dispose your chair according to the local environmental legislation. The best way to do so, is to disassemble the chair to facilitate the transport of recyclable parts.

5 Technical specifications

The technical details below are only valid for this chair, at standard settings and optimal ambient conditions. Take these details into account during use. The values are no longer applicable if your chair has been modified, damaged, or is severely worn.

Make	Vermeiren
Type	Comfort chair
Model	Normandie
Maximum occupant mass	130 kg

<i>Description</i>	<i>Dimensions</i>	
	<i>Without wheels</i>	<i>With wheels</i>
Overall length	860 mm	
Overall width	685 mm	
Total mass	Approx. 27,8 kg	Approx. 29,15 kg
Mass of heaviest part	19,45 kg	19,2 kg
Masses of parts that can be removed or dismantled	Seat: 2,85 kg Backrest: 5,45 kg	Seat: 2,85 kg Backrest: 7,1 kg
Seat plane angle	8°	
Effective seat depth	480 mm	
Effective seat width	500 mm	
Seat surface height at front edge	500 mm	520 mm
Backrest angle	13° - 45°	
Backrest height	750 mm	
Armrests height	0 mm (only for sideways transfer) 150 mm - 210 mm	
Overall height	1200 mm	1205 mm
Dismantled height	490 mm	
Thickness seat cushions	100 mm	
Angle between seat and leg rest	0° - 90°	
Storage and use temperature	+ 5 °C - + 40°C	
Storage and use humidity	30% - 70%	
We reserve the right to introduce technical changes. Measurement tolerance ± 15 mm / 1,5 kg / 1,5°		

Table 1: Technical specifications Normandie

Make	Vermeiren
Type	Comfort chair
Model	Languedoc
Maximum occupant mass	130 kg

<i>Description</i>	<i>Dimensions</i>	
	<i>Without wheels</i>	<i>With wheels</i>
Overall length	860 mm	
Overall width	685 mm	
Total mass	Approx. 22,4 kg	Approx. 23,75 kg
Mass of heaviest part	14,1 kg	13,8 kg
Masses of parts that can be removed or dismantled	Seat: 2,85 kg Backrest: 5,45 kg	Seat: 2,85 kg Backrest: 7,1 kg
Seat plane angle	8°	
Effective seat depth	480 mm	
Effective seat width	500 mm	
Seat surface height at front edge	500 mm	520 mm
Backrest angle	13° - 45°	
Backrest height	750 mm	
Armrests height	0 mm (only for sideways transfer) 150 mm - 210 mm	
Overall height	1200 mm	1205 mm
Dismantled height	490 mm	
Thickness seat cushions	100 mm	
Storage and use temperature	+ 5 °C - + 40°C	
Storage and use humidity	30% - 70%	
We reserve the right to introduce technical changes. Measurement tolerance ± 15 mm / 1,5 kg / 1,5°		

Table 2: Technical specifications Languedoc



Make	Vermeiren
Type	Comfort chair
Model	Normandie 2F
Maximum occupant mass	130 kg

<i>Description</i>	<i>Dimensions</i>	
	<i>Without wheels</i>	<i>With wheels</i>
Overall length	860 mm	
Overall width	685 mm	
Total mass	Approx. 30,4 kg	Approx. 32,1 kg
Mass of heaviest part	21,6 kg	22,9 kg
Masses of parts that can be removed or dismantled	Seat: 2,85 kg Backrest: 5,45 kg	Seat: 2,85 kg Backrest: 7,1 kg
Seat plane angle	8°	
Effective seat depth	480 mm	
Effective seat width	500 mm	
Seat surface height at front edge	500 mm	520 mm
Backrest angle	13° - 45°	
Backrest height	750 mm	
Armrests height	0 mm (only for sideways transfer) 150 mm - 210 mm	
Overall height	1200 mm	1205 mm
Dismantled height	490 mm	
Thickness seat cushions	100 mm	
Angle between seat and leg rest	0° - 90°	
Storage and use temperature	+ 5 °C - + 40°C	
Storage and use humidity	30% - 70%	
We reserve the right to introduce technical changes. Measurement tolerance ± 15 mm / 1,5 kg / 1,5°		

Table 2: Technical specifications Normandie 2F

Table des matières

Table des matières	1
Préface	2
1 Ce produit	3
2 Avant l'utilisation	4
2.1 Usage prévu	4
2.2 Instructions générales de sécurité	4
2.3 Symboles sur le fauteuil.....	4
2.4 Montage/Démontage	5
2.5 Transport et entreposage.....	5
3 Utiliser ce fauteuil	6
3.1 Se déplacer de/vers le fauteuil.....	6
3.2 Réglages de confort.....	6
3.3 Roues / Freins de stationnement (uniquement pour modèle avec roues).....	8
4 Entretien	9
4.1 Points d'entretien	9
4.2 Instructions d'entretien.....	9
4.3 Durée de vie attendue.....	9
4.4 Réutilisation	10
4.5 Mise au rebut.....	10
5 Caractéristiques techniques	11

Préface

Merci de la confiance que vous accordez aux produits de Vermeiren. Ce manuel est destiné à vous aider dans l'utilisation de ce fauteuil de repos et de ses options de fonctionnement. Veuillez le lire attentivement. Vous pourrez ainsi vous familiariser avec le fonctionnement, les capacités et les limites de votre fauteuil.

Si vous avez encore des questions après la lecture de ce manuel, n'hésitez pas à prendre contact avec votre revendeur spécialisé. Il vous aidera volontiers.

Remarque importante

Pour assurer votre sécurité et prolonger la durée de vie de votre produit, prenez-en grand soin et faites-le contrôler ou entretenir régulièrement.

Ce manuel est le reflet des derniers développements du produit. Vermeiren a le droit d'apporter des modifications à ce type de produit sans être tenu d'adapter ou de remplacer des produits similaires fournis précédemment.

Les images sont fournies afin de clarifier les instructions de ce manuel. Les détails du produit illustré peuvent diverger de votre produit.

Informations disponibles

Sur notre site Internet <http://www.vermeiren.com/>, vous trouverez toujours la version la plus récente des informations suivantes. Veuillez consulter régulièrement ce site Internet pour d'éventuelles mises à jour.

Les personnes malvoyantes peuvent télécharger la version électronique de ce manuel et la lire au moyen d'une application de texte-parole.



Ce manuel d'instructions
Pour l'utilisateur et le revendeur spécialisé



Manuel de service
Pour le revendeur spécialisé



Déclaration de conformité CE

1 Ce produit



1. Châssis de base
2. Dossier réglable
3. Siège amovible
4. Accoudoirs réglables en hauteur
5. Manchettes
6. Repose-jambes
7. Levier pour l'inclinaison (Normandie 2F: 2 leviers)
8. Roues de transport
9. Roues (en option)
10. Barre de poussée (en option)
11. Plaque d'identification



2 Avant l'utilisation

2.1 Usage prévu

- i** Ce paragraphe vous présente une brève description de l'usage prévu de votre fauteuil de repos. Des avertissements pertinents ont également été ajoutés aux instructions dans les autres paragraphes. Nous aimerions ainsi attirer votre attention sur un usage inapproprié éventuel qui pourrait survenir.
- Le fauteuil de repos est destinée à être utilisé par des personnes âgées, pendant la réhabilitation, ou par des patients souffrant de paralysie.
 - Ce fauteuil de repos est destiné uniquement à un usage à l'intérieur, sur des sols plats et de niveau.
 - Ce fauteuil est conçu et fabriqué uniquement comme un siège et lieu de repos pour une (1) personne d'un poids maximum de 130 kg. Il n'est pas destiné au transport de biens ou d'objets, ni à tout autre usage que celui décrit précédemment.
 - Le cas échéant, utilisez uniquement des accessoires et des pièces de rechange approuvés par Vermeiren.
 - Consultez également les détails techniques et les limites de votre fauteuil au §5.
 - La garantie de ce produit est basée sur une utilisation et un entretien normaux, tels que décrits dans le présent manuel. Les dommages à votre produit dus à un usage inapproprié ou à un manque d'entretien auront pour effet d'annuler la garantie.

2.2 Instructions générales de sécurité



ATTENTION

Risque de blessures et/ou de dommages

Tenez compte des avertissements généraux suivants pendant l'emploi :

- N'oubliez pas que certaines parties de ce fauteuil coquille peuvent devenir très chaudes ou très froides en fonction de la température ambiante, des rayons du soleil ou des dispositifs de chauffage. Faites donc attention lorsque vous les touchez. Portez des vêtements de production s'il fait froid.
- Soyez prudent avec le feu, en particulier avec les cigarettes incandescentes; en effet, le tissu du siège et du dossier risque de s'enflammer.
- Ne modifiez en aucun cas ce fauteuil coquille.

2.3 Symboles sur le fauteuil

Les symboles de la liste suivante concernent votre fauteuil coquille. Vous trouverez les symboles dans les normes ISO correspondantes (ISO 7000, ISO 7001 et CEI 417).



Poids maximum de l'utilisateur en kg



Usage intérieur uniquement



Indication du type

Le système coquille respecte les exigences définies dans :

EN 1021-1, EN1021-2 : Résistance à l'inflammation des pièces rembourrées

2.4 Montage/Démontage

Lors de la livraison du fauteuil confort, l'assise et le dossier doivent être installés avant utilisation. L'assise et le dossier peuvent également être retirés pour un transport facile.

2.4.1 Dossier

1. Placez les tubes du dossier sur les tubes du cadre.
2. Appuyez sur le bouton à ressort (1) pour faire glisser le dossier vers le bas.
3. Abaissez complètement le dossier jusqu'à ce qu'il soit bien en place.



Pour retirer le dossier, appuyez sur le bouton à ressort sous le rembourrage et tirez le dossier vers le haut jusqu'à ce qu'il se détache du cadre.

2.4.2 Siège

1. Placez les crochets à l'arrière du siège sur le tube du cadre près du dossier.
2. Appuyez sur la face avant du siège pour le fixer en place. Vous entendrez un clic.

Pour retirer le siège, tirez sur l'avant du siège jusqu'à ce qu'il se détache du cadre.

2.5 Transport et entreposage



ATTENTION

Risque de blessures et de dommages

- Soyez prudent lorsque vous passez avec le fauteuil dans des passages étroits.
- Assurez-vous que le passage est libre d'objets et d'obstacles et qu'il n'y a personne.

2.5.1 Mise à l'écart

1. Assurez-vous que les freins du fauteuil de repos sont enclenchés (uniquement pour modèle avec roues, voir §3.3).
2. Faites le transfert du fauteuil.
3. Relâchez les freins (uniquement pour modèle avec roues).
4. Placez le dossier en position relevée.
5. Transporter la chaise à l'endroit désiré sur un sol horizontal.
 - a) *Avec roues* : Déplacez la chaise confort à l'aide de ses roulettes et faites-la rouler jusqu'à sa destination.
 - b) *Sans roues* : Demandez de l'aide pour soulever la chaise avec deux personnes. Saisissez fermement le cadre avec les deux mains et soulevez-la du sol. N'utilisez pas de repose-jambes, d'accoudoirs, de roues ou de siège pour saisir le fauteuil.
6. Serrez les freins (uniquement pour modèle avec roues).

2.5.2 Entreposage

ATTENTION

Risque de dommages

Assurez-vous que votre fauteuil de repos est entreposé au sec pour éviter la formation de moisissure et l'endommagement du rembourrage, voir également les détails techniques au §5.

3 Utiliser ce fauteuil

⚠ AVERTISSEMENT Risque de blessures

- Lisez d'abord les chapitres précédents et informez-vous à propos de l'usage visé. N'utilisez PAS votre fauteuil coquille sans avoir d'abord lu et bien compris toutes les instructions.
- En cas de doutes ou de questions, n'hésitez pas à contacter votre revendeur local, votre prestataire de soins ou votre conseiller technique qui pourra vous aider.

⚠ ATTENTION Risque de blessures et/ou de dommages

- Assurez-vous que vos doigts, des vêtements, ceintures, boucles ou bijoux ne puissent pas se coincer dans les parties mobiles pendant l'assemblage, l'utilisation ou le réglage.

3.1 Se déplacer de/vers le fauteuil

⚠ ATTENTION Risque de blessures ou de dommages

- Si vous ne pouvez pas réaliser le transfert de manière sûre, demandez à quelqu'un de vous aider.
1. Assurez-vous que les freins du fauteuil de repos sont enclenchés (uniquement pour modèle avec roues, voir §3.3).
 2. Placez le fauteuil de confort en position assise la plus verticale.
 3. Transférez la personne de/vers le fauteuil. Placez l'accoudoir à la même hauteur que le coussin d'assise pour un transfert latéral (voir § 3.2.3).

3.1.1 S'asseoir dans le fauteuil coquille

Placez votre dos aussi proche que possible du dossier.

3.2 Réglages de confort

⚠ ATTENTION Risque de blessures ou de dommages

- Serrez toujours les freins avant de faire les réglages (uniquement pour modèle avec roues, voir §3.3).

3.2.1 Inclinaison du dossier Normandie/Languedoc

⚠ ATTENTION Risque de blessures ou de dommages

- Assurez-vous que le fauteuil de repos ne puisse pas basculer lorsqu'il est placé dans sa position la plus en arrière.
- Assurez-vous qu'aucun objet ou qu'aucun individu ne se trouve dans le voisinage du réglage (voir les zones représentant des points noirs).

L'angle du dossier et du repose-jambe peut être réglé à l'aide d'un vérin à gaz.

Les zones représentant des goulots d'étranglement sont indiqués dans l'illustration ci-dessous avec (1) .

Pour incliner le fauteuil de repos:

1. Serrez les freins (uniquement pour modèle avec roues, voir §3.3).
2. Pour incliner le dossier, tirez le levier (2) et poussez contre le dossier jusqu'à atteindre la position souhaitée. Lâchez le levier pour bloquer le dossier en position. Pour le modèle Normandie, le dossier et le repose-jambes s'inclinent simultanément. (Inclinaison du dossier: 13° - 45°; inclinaison du repose-jambes: 0° - 90°)



3. Pour réduire l'inclinaison du dossier et du repose jambe, tirez le levier (2) et laissez le dossier et le repose-jambes revenir dans la position souhaitée. Lâchez le levier pour bloquer le dossier et le repose-jambes en position.



3.2.2 Inclinaison du dossier et du repose-jambes Normandie 2F

 ATTENTION

Risque de blessures ou de dommages

- Assurez-vous que le fauteuil de repos ne puisse pas basculer lorsqu'il est placé dans sa position la plus en arrière.
- Assurez-vous qu'aucun objet ou qu'aucun individu ne se trouve dans le voisinage du réglage (voir les zones représentant des points noirs).

L'angle du dossier et du repose-jambe peut être réglé séparément à l'aide d'un vérin à gaz.

Les zones représentant des goulots d'étranglement sont indiqués dans l'illustration ci-dessus avec (1).

Pour incliner le fauteuil de repos:

1. Serrez les freins (uniquement pour modèle avec roues, voir §3.3).
2. Pour incliner le dossier, tirez le levier *supérieur* (2) et poussez contre le dossier jusqu'à atteindre la position souhaitée. Lâchez le levier pour bloquer le dossier en position. (Inclinaison du dossier: 13° - 45°; inclinaison du repose-jambes: 0° - 90°)
3. Pour incliner le repose-jambes, tirez le levier *inférieur* (3) et placez le repose-jambes dans la position souhaitée.
4. Pour réduire l'inclinaison du dossier et du repose jambe, tirez le levier (2 ou 3) et laissez le dossier et le repose-jambes revenir dans la position souhaitée. Lâchez le levier pour bloquer le dossier et le repose-jambes en position.



3.2.3 Réglage des accoudoirs

Les accoudoirs sont réglables en hauteur, et peuvent être abaissés jusqu'au niveau du cadre du siège pour le transfert latéral du patient.

1. Tirez le levier des accoudoirs (3) vers le haut (en direction des manchettes).
2. Le ressort de verrouillage est déverrouillé et l'accoudoir peut être déplacé dans le support de l'accoudoir (4) vers la position souhaitée (portée : 114 mm, marches de 19 mm).



ATTENTION

Risque de blessures

- Si le ressort de verrouillage sort du support pour l'accoudoir (4), l'accoudoir n'est pas verrouillé. Utilisez uniquement cette position pour le déplacement latéral du patient.

Pour le transfert latéral du patient:

Tirer le levier (3) vers le haut et placer l'accoudoir dans la position la plus basse possible.

Maintenant, l'accoudoir se trouve à la même hauteur que le coussin d'assise.

3.3 Roues / Freins de stationnement (uniquement pour modèle avec roues)

ATTENTION

Risque de blessures ou de dommages

- Toutes les roues doivent être bloquées lorsque le fauteuil de repos est en stationnement.
- Vérifiez que le fauteuil de repos se trouve sur une surface horizontale plane avant de relâcher les freins. Ne désactivez jamais tous les freins en même temps.



5 Verrouillez les freins de stationnement

Pressez avec le pied la plaque de frein gris des roues vers le bas, jusqu'à ce qu'elle se bloque. Les roues ne peuvent pas rouler.

6 Déverrouillez les freins de stationnement

Remontez avec le pied la plaque de frein des roues vers le châssis. Les roues sont maintenant déverrouillées et peuvent rouler et tourner.

4 Entretien

- i** Un entretien régulier vous permet de conserver votre fauteuil de repos dans un parfait état de fonctionnement. Le mode d'entretien se trouve sur le site Internet de Vermeiren : www.vermeiren.com.

4.1 Points d'entretien

⚠ ATTENTION Risque de blessures et de dommages

Les réparations et les remplacements ne peuvent être réalisés que par des personnes formées, et seules des pièces de remplacement d'origine de Vermeiren peuvent être utilisées.

- i** La dernière page de ce manuel contient un formulaire d'enregistrement pour permettre au revendeur spécialisé de consigner chaque service.

La fréquence d'entretien dépend de la fréquence et de l'intensité de l'utilisation. Contactez votre revendeur pour convenir d'un rendez-vous pour une inspection/entretien/réparation.

Avant chaque utilisation

Inspectez les points suivants :

- Toutes les pièces : Présentes et sans dommage ni usure.
- Toutes les pièces : Nettoyez, voir § 4.2.1.
- Roues, dossier, siège: Bien serrés.
- Fonctionnement des ressorts à gaz, freins, accoudoirs.
- Roues/pneus : éliminez tous les fils, cheveux, sable, fibres et autres saletés (huile, boue).
- État de pièces du cadre : Pas de déformation, d'instabilité, de faiblesse ou de connexions desserrées
- Housse, siège rembourré, repose-jambes rembourré : Pas d'usure excessive (bosses, dommages ou déchirures).

Contactez votre revendeur spécialisé pour les réparations et les remplacements de pièces éventuels.

4.2 Instructions d'entretien

4.2.1 Nettoyage

ATTENTION Risque de dommages

- N'utilisez jamais un nettoyeur à vapeur pour laver le fauteuil.

Essuyez toutes les parties rigides du fauteuil avec un chiffon humide (pas détrempe). Si nécessaire, utilisez un savon doux, approprié pour les laques et les synthétiques.

Le rembourrage peut être nettoyé à l'eau tiède additionnée de savon doux. N'utilisez pas de produits de nettoyage ou une éponge abrasifs, ni une brosse dure pour nettoyer.

4.2.2 Désinfection

ATTENTION Risque de dommages

La désinfection ne peut être réalisée que par des personnes qualifiées. Renseignez-vous auprès de votre revendeur spécialisé à cet égard.

4.3 Durée de vie attendue

La durée de vie moyenne de votre fauteuil est de 5 ans. Selon la fréquence d'utilisation et d'entretien, la durée de vie de votre fauteuil de repos augmentera ou diminuera.

4.4 Réutilisation

Avant chaque réutilisation, faites désinfecter, inspecter et entretenir le fauteuil de repos conformément aux instructions du §4.1 et du §4.2.

4.5 Mise au rebut

À la fin de sa durée de vie, votre fauteuil doit être mis au rebut conformément à la législation environnementale locale. Il est recommandé de démonter le fauteuil coquille afin de faciliter le transport des matériaux recyclables.

5 Caractéristiques techniques

Les détails techniques ci-dessous concernent uniquement ce fauteuil, avec des réglages standard et dans des conditions ambiantes optimales. Veuillez tenir compte de ces détails pendant l'utilisation. Les valeurs ne sont plus valables si votre fauteuil a été modifié, endommagé ou présente une usure sérieuse.

Marque	Vermeiren
Type	Fauteuil de repos
Modèle	Normandie
Masse maximale de l'occupant	130 kg

<i>Description</i>	<i>Dimensions</i>	
	<i>Sans roues</i>	<i>Avec roues</i>
Largeur totale	860 mm	
Largeur totale	685 mm	
Masse totale	Approx. 27,8 kg	Approx. 29,15 kg
Masse de la partie la plus lourde	19,45 kg	19,2 kg
Des masses de pièces qui peuvent être démontés ou retirées	Siège: 2,85 kg Accoudoir: 5,45 kg	Siège: 2,85 kg Accoudoir: 7,1 kg
Angle du plan d'assise	8°	
Profondeur d'assise efficace	480 mm	
Largeur d'assise efficace	500 mm	
Hauteur du siège de devant	500 mm	520 mm
Angle du dossier	13° - 45°	
Hauteur du dossier	750 mm	
Distance entre l'accoudoir et le siège	0 mm (uniquement pour un transfert latéral) 150 mm - 210 mm	
Hauteur totale	1200 mm	1205 mm
Hauteur démonté	490 mm	
Épaisseur du coussin d'assise	100 mm	
Angle entre l'assise et le repose-jambes	0° - 90°	
Température de stockage et d'utilisation	+ 5 °C - + 40 °C	
Humidité de stockage et d'utilisation	30% - 70%	

**Nous nous réservons le droit d'apporter des modifications techniques.
Tolérance de mesure ± 15 mm / 1,5 kg / 1,5°.**

Tableau 1 : Caractéristiques techniques Normandie

Marque	Vermeiren
Type	Fauteuil de repos
Modèle	Languedoc
Masse maximale de l'occupant	130 kg

<i>Description</i>	<i>Dimensions</i>	
	<i>Sans roues</i>	<i>Avec roues</i>
Largeur totale	860 mm	
Largeur totale	685 mm	
Masse totale	Approx. 22,4 kg	Approx. 23,75 kg
Masse de la partie la plus lourde	14,1 kg	13,8 kg
Des masses de pièces qui peuvent être démontés ou retirées	Siège: 2,85 kg Accoudoir: 5,45 kg	Siège: 2,85 kg Accoudoir: 7,1 kg
Angle du plan d'assise	8°	
Profondeur d'assise efficace	480 mm	
Largeur d'assise efficace	500 mm	
Hauteur du siège de devant	500 mm	520 mm
Angle du dossier	13° - 45°	
Hauteur du dossier	750 mm	
Distance entre l'accoudoir et le siège	0 mm (uniquement pour un transfert latéral) 150 mm - 210 mm	
Hauteur totale	1200 mm	1205 mm
Hauteur démonté	490 mm	
Épaisseur du coussin d'assise	100 mm	
Température de stockage et d'utilisation	+ 5 °C - + 40 °C	
Humidité de stockage et d'utilisation	30% - 70%	

**Nous nous réservons le droit d'apporter des modifications techniques.
Tolérance de mesure ± 15 mm / 1,5 kg / 1,5°.**

Tableau 1 : Caractéristiques techniques Languedoc

Marque	Vermeiren
Type	Fauteuil de repos
Modèle	Normandie 2F
Masse maximale de l'occupant	130 kg

<i>Description</i>	<i>Dimensions</i>	
	<i>Sans roues</i>	<i>Avec roues</i>
Largeur totale	860 mm	
Largeur totale	685 mm	
Masse totale	Approx. 30,4 kg	Approx. 32,1 kg
Masse de la partie la plus lourde	21,6 kg	22,9 kg
Des masses de pièces qui peuvent être démontés ou retirées	Siège: 2,85 kg Accoudoir: 5,45 kg	Siège: 2,85 kg Accoudoir: 7,1 kg
Angle du plan d'assise	8°	
Profondeur d'assise efficace	480 mm	
Largeur d'assise efficace	500 mm	
Hauteur du siège de devant	500 mm	520 mm
Angle du dossier	13° - 45°	
Hauteur du dossier	750 mm	
Distance entre l'accoudoir et le siège	0 mm (uniquement pour un transfert latéral) 150 mm - 210 mm	
Hauteur totale	1200 mm	1205 mm
Hauteur démonté	490 mm	
Épaisseur du coussin d'assise	100 mm	
Angle entre l'assise et le repose-jambes	0° - 90°	
Température de stockage et d'utilisation	+ 5 °C - + 40 °C	
Humidité de stockage et d'utilisation	30% - 70%	
Nous nous réservons le droit d'apporter des modifications techniques. Tolérance de mesure ± 15 mm / 1,5 kg / 1,5°.		

Tableau 1 : Caractéristiques techniques Normandie 2F

Inhoudsopgave

Inhoudsopgave	1
Voorwoord	2
1 Dit product	3
2 Voor gebruik	4
2.1 Bedoeld gebruik.....	4
2.2 Algemene veiligheidsinstructies.....	4
2.3 Symbolen op de rolstoel aanwezig.....	4
2.4 Montage/Demontage.....	5
2.5 Transport en opbergen.....	5
3 Uw rolstoel gebruiken	6
3.1 In/uit de stoel stappen.....	6
3.2 Comfort instellingen (afhankelijk van de versie).....	6
3.3 Loopwielen / Parkeerremmen (enkel met wielen).....	8
4 Onderhoud	9
4.1 Onderhoudspunten.....	9
4.2 Onderhoudsinstructies.....	9
4.1 Verwachte levensduur.....	9
4.2 Hergebruik.....	9
4.3 Einde gebruik.....	10
5 Technische specificaties	11

Voorwoord

We danken u voor uw vertrouwen in de producten van Vermeiren. Deze handleiding wordt u aangeboden om u te helpen bij het gebruik en de bedieningsmogelijkheden van uw comfortstoel. We vragen u met nadruk deze handleiding aandachtig te lezen. Op die manier raakt u vertrouwd met de bediening, de mogelijkheden en beperkingen van uw comfortstoel.

Als u, na het lezen van deze handleiding, toch nog vragen heeft, aarzel dan niet om uw vakhandelaar te contacteren. Hij/Zij zal u graag helpen met uw vraag.

Belangrijke opmerking

Om uw veiligheid te garanderen en om de levensduur van uw product te verlengen, raden we u aan om goed zorg te dragen voor uw product en om het regelmatig te (laten) inspecteren en onderhouden.

Deze handleiding weerspiegelt de laatste productontwikkelingen. Vermeiren heeft het recht om wijzigingen aan dit type product aan te brengen zonder de opgelegde verplichting om vergelijkbare producten, die voordien geleverd werden, aan te passen of te vervangen.

In deze handleiding worden afbeeldingen gebruikt om de instructies te verduidelijken. Details van de afgebeelde producten kunnen van uw product afwijken.

Beschikbare informatie

Op onze website <http://www.vermeiren.com/> kunt u altijd terecht voor de meest recente versie van onderstaande informatie. Raadpleeg deze website a.u.b. regelmatig voor mogelijke updates.

Personen met een visuele beperking kunnen de elektronische versie van de handleiding downloaden en met behulp van een tekst-naar-spraak softwareapplicatie laten voorlezen.



Deze gebruiksaanwijzing
Voor gebruiker en vakhandelaar



Service handleiding
Voor de vakhandelaar



CE-verklaring van conformiteit

1 Dit product



1. Frame
2. Verstelbare rug
3. Afneembare zit
4. In hoogte verstelbare armsteunen
5. Armleggers
6. Beensteun
7. Hendel voor inclinatie (Normandie 2F: 2 hendels)
8. Transportwielen
9. Wielen (optioneel)
10. Duwbeugel (optioneel)
11. Identificatieplaat



2 Voor gebruik

2.1 Bedoeld gebruik

- i** Deze paragraaf beschrijft in kort het bedoeld gebruik van uw comfortstoel. Bij de instructies in de overige paragrafen zijn de nodige waarschuwingen opgenomen die dit aanvullen. Op deze manier willen we u bewust maken van het mogelijke misbruik dat kan optreden.
- De comfortstoel is bedoeld om te worden gebruikt door ouderen, tijdens de revalidatie, of door patiënten met een verlamming.
 - De comfortstoel is enkel geschikt om binnenshuis te gebruiken, op een vlakke horizontale grond.
 - De stoel is uitsluitend ontworpen en gemaakt om als zit en rustplaats voor één (1) persoon te gebruiken, met een maximaal gewicht van 130 kg. Hij is niet ontworpen voor het vervoer van goederen of objecten of voor een ander gebruik dan het eerstgenoemde transport.
 - Indien van toepassing, gebruik enkel de accessoires en reserveonderdelen die door Vermeiren goedgekeurd zijn.
 - Neem alle technische informatie en de grenzen van uw stoe door, zie §5.
 - De garantie van dit product is gebaseerd op normaal gebruik en onderhoud zoals beschreven in deze handleiding en de bijbehorende documentatie. Bij schade aan uw product, ten gevolge van oneigenlijk gebruik of gebrek aan onderhoud, zal de garantie vervallen.

2.2 Algemene veiligheidsinstructies

 **VOORZICHTIG** Kans op letsel en/of schade

Tijdens het gebruik, hou volgende algemene waarschuwingen in gedachte:

- Hou er rekening mee dat bepaalde delen van uw stoel erg warm of koud kunnen worden ten gevolge van de omgevingstemperatuur, zonnestralen of verwarmingstoestellen. Wees dus voorzichtig bij het aanraken. Draag bij koud weer beschermende kledij.
- Let op met brandende voorwerpen, zoals sigaretten. De rug- en zitbekleding kunnen vlam vatten.
- Pas deze comfortstoel op geen enkele wijze aan.

2.3 Symbolen op de rolstoel aanwezig

De symbolen in volgende lijst zijn van toepassing voor uw stoel. Symbolen kunnen teruggevonden worden in de betreffende ISO-norm (ISO 7000, ISO 7001 en IEC 417).



Maximaal gewicht van de gebruiker in kg



Enkel voor binnenshuis gebruik



Type aanduiding

De zitschaalstoel voldoet aan de vereisten die zijn vastgelegd in:

EN 1021-1, EN1021-2: Weerstand tegen ontbranding van gestoffeerde onderdelen.

2.4 Montage/Demontage

Wanneer de comfortstoel geleverd wordt, moeten de zit en rug geïnstalleerd worden voor gebruik. Deze zijn ook weer te demonteren om transport te vergemakkelijken.

2.4.1 Rug

1. Plaats de rugbuizen over de framebuizen.
2. Druk de springknop (1) in om de rug verder naar beneden te kunnen schuiven.
3. Duw de rug volledig naar beneden tot hij vast zit.

Om de rug weer te verwijderen, druk de springknop door de bekleding heen in en trek de rug omhoog tot hij loskomt van het frame.




2.4.2 Zit

1. Plaats de haken op de achterzijde van de zit over de framebuis het dichtst bij de rug.
2. Duw de voorzijde van de zit naar beneden om hem op zijn plaats vast te maken. Er is een klik te horen.

Om de zit te verwijderen, trek vooraan de zit omhoog tot hij loskomt van het frame.

2.5 Transport en opbergen

 **VOORZICHTIG** Kans op letsel

- Let op als u met de stoel door nauwe doorgangen gaat.
- Vergewis u ervan dat er zich geen objecten, obstakels of andere personen in de doorgang bevinden.

2.5.1 Opzijzetten

1. Zorg dat de remmen van de comfortstoel aan staan (enkel met wielen, zie §3.3).
2. Verplaats de patiënt uit de stoel.
3. Zet de remmen los (enkel met wielen).
4. Plaats de rug volledig rechtop.
5. Verplaats de stoel naar de gewenste locatie op een vlakke ondergrond.
 - a) *Met wielen*: Maak gebruik van de wielen om de comfortstoel naar de gewenste locatie te rijden.
 - b) *Zonder wielen*: Vraag hulp om de comfortstoel met twee personen te tillen. Houd het frame stevig vast met twee handen en til van de vloer. Gebruik geen beensteunen, wielen of zit om de stoel vast te houden.
6. Activeer de remmen (enkel met wielen).

2.5.2 Opbergen

 **VOORZICHTIG** Kans op schade

Zorg ervoor dat uw stoel droog opgeslagen wordt om schimmelgroei en schade aan de bekleding te voorkomen, zie ook de technische details in §5.

3 Uw rolstoel gebruiken

 **WAARSCHUWING** Kans op letsel

- Lees eerst de voorgaande hoofdstukken en stel u op de hoogte van het bedoeld gebruik. Gebruik uw stoel NIET voordat u alle instructies doorgenomen hebt en deze volledig duidelijk zijn.
- Aarzel niet om bij onduidelijkheden of vragen uw lokale vakhandelaar, uw zorgverlener of technisch adviseur te contacteren om u verder te helpen.

 **VOORZICHTIG** Kans op letsel en/of schade

- Let erop dat uw vingers, kleding, gesp of juwelen niet klem komen te zitten bij de bewegende onderdelen, tijdens monteren, gebruik of instellen van de stoel.

3.1 In/uit de stoel stappen

 **VOORZICHTIG** Kans op letsel of schade

- Vraag iemand te hulp als het u niet lukt om op een veilige manier in/uit de stoel te gaan.
1. Zorg dat de remmen van de comfortstoel aan staan (enkel met wielen, zie §3.3).
 2. Plaats de stoel in rechtop zittende positie.
 3. Verplaats u naar/uit de stoel. Plaats de armlegger op dezelfde hoogte als het zitkussen voor een zijdelingse transfer (zie §3.2.3).

3.1.1 In de stoel zitten

Plaats uw zitvlak zo dicht mogelijk bij de rug.

3.2 Comfort instellingen (afhankelijk van de versie)

 **VOORZICHTIG** Kans op letsel of schade

- Zet voor het instellen altijd de remmen op (enkel met wielen, zie §3.3).

3.2.1 Ruginclinatie Normandie/Languedoc

 **VOORZICHTIG** Kans op letsel of schade

- Zorg ervoor dat de comfortstoel niet achterover kan kantelen wanneer deze zo ver mogelijk naar achteren is geplaatst.
- Zorg ervoor dat geen voorwerpen of individuen in de buurt van het verstel bereik komen (zie knelpunten zones).

De inclinatie van rug en beensteun kan worden versteld met behulp van een pneumatische gasveer.

De knelpunten zones zijn in onderstaande figuur met (1) aangegeven.

Om de comfortstoel te kantelen:

1. Zet de remmen vast (enkel met wielen, zie §3.3).
2. Om de rug te inclineren, trek aan de hendel (2) en duw tegen de rug tot u de gewenste positie bereikt. Laat de hendel los om de rug in positie te blokkeren. Bij Normandie inclineren de rug en beensteun gelijktijdig. (Ruginclinatie: 13° - 45°; beensteun inclinatie: 0° - 90°)
3. Om de inclinatie van de rug en beensteun te verminderen, trek aan de hendel (2) en laat de rug en beensteun terugkeren naar de gewenste positie. Laat de hendel los om de rug en beensteun in positie te blokkeren.





Minimale inclinatie



Maximale inclinatie

3.2.2 Inclinatie van de rug en beensteun Normandie 2F

**VOORZICHTIG**

Kans op letsel of schade

- Zorg ervoor dat de comfortstoel niet achterover kan kantelen wanneer deze zo ver mogelijk naar achteren is geplaatst.
- Zorg ervoor dat geen voorwerpen of individuen in de buurt van het verstel bereik komen (zie knelpunten zones).

De inclinatie van rug en beensteun kan afzonderlijk worden versteld met behulp van een pneumatische gasveer.

De knelpunten zones zijn in bovenstaande figuur met (1) aangegeven.

Om de comfortstoel te kantelen:

1. Zet de remmen vast (enkel met wielen, zie §3.3).
2. Om de rug te inclineren, trek aan de *bovenste* hendel (2) en duw tegen de rug tot u de gewenste positie bereikt. Laat de hendel los om de rug in positie te blokkeren. (Ruginclinatie: 13° - 45°; beensteun inclinatie: 0° - 90°)
3. Om de beensteun te inclineren, trek aan de *onderste* hendel (3) en plaats de beensteun in de gewenste positie.
4. Om de inclinatie van de rug en beensteun te verminderen, trek aan de hendel (2 of 3) en laat de rug en beensteun terugkeren naar de gewenste positie. Laat de hendel los om de rug en beensteun in positie te blokkeren.



3.2.3 Afstellen van de armsteunen

De armsteunen kunnen in hoogte versteld worden. Als de patiënt zijdelings verplaatst moet worden, kunnen ze tot op de hoogte van de zit worden geplaatst.

1. Trek de hendel van de armsteunen (3) naar boven (in de richting van de armlegger).
2. De vergrendelingsveer wordt hierdoor ontgrendeld en de armsteun kan in de armsteun houder (4) naar de gewenste positie worden verplaatst (Bereik 114 mm, stappen van 19 mm).

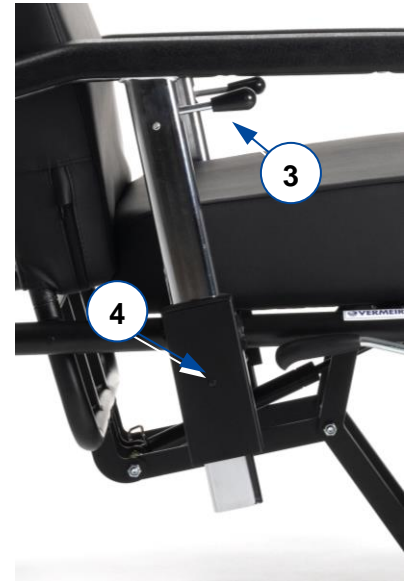
 **VOORZICHTIG** Kans op letsel of schade

- Als de vergrendelingsveer buiten de armsteunhouder (4) komt, is de armsteun niet vergrendeld. Gebruik deze positie enkel voor de zijdelingse verplaatsing van de patiënt.

Positie voor de zijdelingse verplaatsing van de patiënt:

Trek de hendel (3) naar boven en zet de armsteun in de laagst mogelijke stand.

Nu komt de armlegger op dezelfde hoogte als het zitkussen.



3.3 Loopwielen / Parkeerremmen (enkel met wielen)

 **VOORZICHTIG** Kans op letsel of schade

- Voor het parkeren van de comfortstoel moeten de vier loopwielen worden vergrendeld.
- Zorg ervoor dat alvorens de remmen los te zetten, de comfortstoel vlak staat. Los nooit alle remmen tegelijk.



5 Vergrendelen van de parkeerremmen
Druk met uw voet de grijze remplaat van de wielen omlaag tot deze stopt. De wielen kunnen nu niet meer rollen.

6 Ontgrendelen van de parkeerremmen
Druk met uw voet de remplaat van de wielen naar het frame toe. De wielen worden nu ontgrendeld en kunnen zowel rollen als draaien.

4 Onderhoud

- i** Regelmatig onderhoud zorgt ervoor dat uw comfortstoel in een perfect werkende staat blijft. Voor de onderhoudshandleiding kan u de website van Vermeiren raadplegen: www.vermeiren.com.

4.1 Onderhoudspunten

 **VOORZICHTIG** Kans op letsel of schade

Reparaties en vervangingen mogen enkel door getrainde personen uitgevoerd worden. Daarbij dienen en enkel originele onderdelen van Vermeiren gebruikt te worden.

- i** Op de laatste pagina van deze handleiding staat de service-registratielijst waarop de vakhandelaar de servicebeurt kan noteren.

De onderhoudsfrequentie hangt af van de frequentie en intensiteit van gebruik. Neem contact op met uw vakhandelaar om het tijdstip voor inspectie/onderhoud/repairatie af te spreken.

Voor elk gebruik

Inspecteer volgende punten:

- Alle onderdelen: Aanwezig en niet beschadigd of versleten.
- Alle onderdelen: Schoon, zie § 4.2.1.
- Wielen, rug, zit: Zitten goed vast.
- Werking van de gasveren, remmen, armsteunen.
- Wielen/banden; hou deze vrij van draden, haar, zand en tapijtvezels en ander vuil (olie, modder...).
- Conditie van het frame: Geen vervorming, instabiliteit, zwakte of losse verbindingen.
- Bekleding, zitkussen, onderbeenkussen: Geen overmatige slijtage (zoals ingedrukte plekken, beschadigen of scheuren).

Neem contact op met uw vakhandelaar voor eventuele reparaties of vervanging van onderdelen.

4.2 Onderhoudsinstructies

4.2.1 Reinigen

 **VOORZICHTIG** Kans op schade

- Gebruik nooit een stoom reiniger om de stoel schoon te maken.

Veeg de harde delen van de stoel af met een vochtige doek (niet nat). Gebruik hiervoor eventueel een milde zeep die geschikt is voor lakken en kunststoffen.

De bekleding kan met lauwwarm water en milde zeep afgewassen worden. Gebruik geen schurende schoonmaakmiddelen om te reinigen.

4.2.2 Desinfecteren

 **VOORZICHTIG** Kans op schade

Desinfecteren mag enkel door opgeleide personen uitgevoerd worden. Raadpleeg uw vakhandelaar.

4.1 Verwachte levensduur

De gemiddelde levensduur van uw comfortstoel is 5 jaar. De levensduur zal toenemen of afnemen afhankelijk van de gebruiksfrequentie en onderhoud.

4.2 Hergebruik

Voor ieder hergebruik moet de comfortstoel ontsmet, geïnspecteerd en onderhouden worden volgens de instructies in §4.1 en §4.2.

4.3 Einde gebruik

Bij einde levensduur dient u de rolstoel en alle toebehoren volgens de lokale milieuwetgeving af te voeren. Best kunt u de rolstoel demonteren zodat de herbruikbare materialen makkelijker vervoerd en gerecycleerd kunnen worden.

5 Technische specificaties

Onderstaande technische gegevens zijn enkel geldig voor deze stoel, met standaard instellingen en optimale omgevingscondities. Houd bij gebruik rekening met deze details. Deze waarden zijn niet meer van toepassing als uw stoel werd gewijzigd, of wanneer hij beschadigd of ernstig versleten is.

Merk	Vermeiren
Type	Comfortstoel
Model	Normandie
Max. gewicht gebruiker	130 kg

Omschrijving	Afmetingen	
	Zonder wielen	Met wielen
Totale lengte	860 mm	
Totale breedte	685 mm	
Totale massa	Ong. 27,8 kg	Ong. 29,15 kg
Gewicht zwaarste onderdeel	19,45 kg	19,2 kg
Massa van onderdelen die kunnen worden gedemonteerd of verwijderd	Zit: 2,85 kg Rug: 5,45 kg	Zit: 2,85 kg Rug: 7,1 kg
Hoek zit	8°	
Zitdiepte	480 mm	
Zitbreedte	500 mm	
Zithoogte aan voorste rand	500 mm	520 mm
Hoek rugsteun	13° - 45°	
Hoogte rugsteun	750 mm	
Afstand armsteun tot zit	0 mm (enkel voor zijdelingse transfer) 150 mm - 210 mm	
Totale hoogte	1200 mm	1205 mm
Gedemonteerde hoogte	490 mm	
Hoogte zitkussen	100 mm	
Hoek tussen zit en beensteun	0° - 90°	
Opslag- en gebruikstemperatuur	+ 5 °C - + 40 °C	
Opslag en gebruiksluchtvochtigheid	30% - 70%	

We behouden ons het recht voor om technische wijzigingen te introduceren. Meettolerantie ± 15 mm / 1,5 kg / 1,5°.

Tabel 1: Technische specificaties Normandie

Merk	Vermeiren
Type	Comfortstoel
Model	Languedoc
Max. gewicht gebruiker	130 kg

Omschrijving	Afmetingen	
	Zonder wielen	Met wielen
Totale lengte	860 mm	
Totale breedte	685 mm	
Totale massa	Ong. 22,4 kg	Ong. 23,75 kg
Gewicht zwaarste onderdeel	14,1 kg	13,8 kg
Massa van onderdelen die kunnen worden gedemonteerd of verwijderd	Zit: 2,85 kg Rug: 5,45 kg	Zit: 2,85 kg Rug: 7,1 kg
Hoek zit	8°	
Zitdiepte	480 mm	
Zitbreedte	500 mm	
Zithoogte aan voorste rand	500 mm	520 mm
Hoek rugsteun	13° - 45°	
Hoogte rugsteun	750 mm	
Afstand armsteun tot zit	0 mm (enkel voor zijdelingse transfer) 150 mm - 210 mm	
Totale hoogte	1200 mm	1205 mm
Gedemonteerde hoogte	490 mm	
Hoogte zitkussen	100 mm	
Opslag- en gebruikstemperatuur	+ 5 °C - + 40 °C	
Opslag en gebruiksluchtvochtigheid	30% - 70%	

We behouden ons het recht voor om technische wijzigingen te introduceren. Meettolerantie ± 15 mm / 1,5 kg / 1,5°.

Tabel 1: Technische specificaties Languedoc

Merk	Vermeiren
Type	Comfortstoel
Model	Normandie 2F
Max. gewicht gebruiker	130 kg

Omschrijving	Afmetingen	
	Zonder wielen	Met wielen
Totale lengte	860 mm	
Totale breedte	685 mm	
Totale massa	Ong. 30,4 kg	Ong. 32,1 kg
Gewicht zwaarste onderdeel	21,6 kg	22,9 kg
Massa van onderdelen die kunnen worden gedemonteerd of verwijderd	Zit: 2,85 kg Rug: 5,45 kg	Zit: 2,85 kg Rug: 7,1 kg
Hoek zit	8°	
Zitdiepte	480 mm	
Zitbreedte	500 mm	
Zithoogte aan voorste rand	500 mm	520 mm
Hoek rugsteun	13° - 45°	
Hoogte rugsteun	750 mm	
Afstand armsteun tot zit	0 mm (enkel voor zijdelingse transfer) 150 mm - 210 mm	
Totale hoogte	1200 mm	1205 mm
Gedemonteerde hoogte	490 mm	
Hoogte zitkussen	100 mm	
Hoek tussen zit en beensteun	0° - 90°	
Opslag- en gebruikstemperatuur	+ 5 °C - + 40 °C	
Opslag en gebruiksluchtvochtigheid	30% - 70%	
We behouden ons het recht voor om technische wijzigingen te introduceren. Meettolerantie ± 15 mm / 1,5 kg / 1,5°.		

Tabel 1: Technische specificaties Normandie 2F

Inhalt	1
Vorwort	2
1 Dieses Produkt	3
2 Vor der Benutzung	4
2.1 Vorgesehene Benutzung	4
2.2 Allgemeine Sicherheitshinweise	4
2.3 Symbole am Stuhl	4
2.4 Montage/Demontage	5
2.5 Transport und Lagerung	5
3 Benutzung des Stuhls	6
3.1 Transfer in den/aus dem Stuhl	6
3.2 Komforteinstellungen	6
3.3 Laufrollen / Feststellbremsen (nur für Modelle mit Rädern)	8
4 Instandhaltung	9
4.1 Wartungspunkte	9
4.2 Wartungshinweise	9
4.3 Voraussichtliche Nutzungsdauer	9
4.4 Wiederbenutzung	10
4.5 Nutzungsende	10
5 Technische Daten	11

Vorwort

DE

Vielen Dank für Ihr Vertrauen in Produkte von Vermeiren. Dieses Handbuch soll Ihnen bei der Benutzung dieses Komfortstuhls und seiner Bedienmöglichkeiten helfen. Lesen Sie es daher bitte aufmerksam durch, um sich mit der Bedienung, den Fähigkeiten und Beschränkungen Ihres Komfortstuhls vertraut zu machen.

Sollten Sie nach der Lektüre dieses Handbuchs noch Fragen haben, können Sie sich jederzeit an Ihren Fachhändler wenden. Er wird Ihnen gerne in dieser Angelegenheit weiterhelfen.

Wichtiger Hinweis

Um Ihre Sicherheit zu gewährleisten und die Nutzungsdauer Ihres Produkts zu verlängern, sollten Sie es gut behandeln und regelmäßig überprüfen und/oder warten lassen.

Dieses Handbuch enthält die neuesten Produktentwicklungen. Vermeiren behält sich das Recht vor, Veränderungen an dieser Art von Produkt vorzunehmen, ohne eine Verpflichtung einzugehen, ähnliche bereits ausgelieferte Produkte anzupassen oder auszutauschen.

Die Abbildungen dienen zur Verdeutlichung der Anweisungen in diesem Handbuch. Das gezeigte Produkt kann in Details von Ihrem Produkt abweichen.

Verfügbare Informationen

Auf unserer Webseite <http://www.vermeiren.com/> finden Sie stets die aktuellste Version der folgenden Informationen. Informieren Sie sich bitte regelmäßig auf dieser Website nach eventuell verfügbaren Aktualisierungen.

Sehbehinderte Menschen können sich die elektronische Version dieses Handbuchs herunterladen und mit Hilfe einer Sprachsyntheselösung („Text-to-Speech-Software“) vorlesen lassen.



Diese Bedienungsanleitung
Für Benutzer und Fachhändler



Servicehandbuch
Für Fachhändler



EG-Konformitätserklärung

1 Dieses Produkt

DE



1. Grundrahmen
2. Verstellbare Rückenlehne
3. Abnehmbarer Sitz
4. Höhenverstellbare Armlehnen
5. Armpolster
6. Beinstütze
7. Neigungshebel
(Normandie 2F: 2 Hebel)
8. Transporträder
9. Räder (optional)
10. Schiebebügel (optional)
11. Typenschild



2 Vor der Benutzung

2.1 Vorgesehene Benutzung

i Dieser Kapitel enthält eine kurze Beschreibung der vorgesehenen Benutzung Ihres Komfortstuhls. Darüber hinaus enthalten die Anweisungen in den anderen Kapiteln zusätzliche Warnhinweise. Auf diese Weise wollen wir Sie auf die Möglichkeit einer unsachgemäßen Benutzung hinweisen.

- Der Komfortstuhl ist für ältere Menschen, für Patienten mit Lähmungen, oder für Patienten während der Revalidierung bestimmt.
- Dieser Komfortstuhl ist nur für den Gebrauch in Innenräumen auf einem flachen, ebenen Untergrund vorgesehen.
- Er ist ausschließlich als Sitz und Ruheplatz für eine (1) Person mit einem Gewicht von maximal 130 kg konzipiert und gefertigt. Er ist nicht dafür vorgesehen, Sachen oder Objekte zu transportieren oder zu anderen Zwecken als zuvor beschrieben benutzt zu werden.
- Verwenden Sie möglichst ausschließlich von Vermeiren genehmigte Zubehör- oder Ersatzteile.
- Sehen Sie sich auch die technischen Daten und die Grenzen Ihres Sitzschalenstuhls in Kapitel 5 an.
- Die Garantie für dieses Produkt beruht auf dessen normaler Benutzung und Wartung wie in diesem Handbuch beschrieben. Schäden an Ihrem Produkt, die auf unsachgemäße Benutzung oder mangelnde Wartung zurückzuführen sind, führen zum Erlöschen der Garantie.

2.2 Allgemeine Sicherheitshinweise

**VORSICHT**

Gefahr von Personen- und/oder Sachschäden

Beachten Sie bei der Benutzung die folgenden allgemeinen Warnhinweise:

- Beachten Sie, dass bestimmte Teile dieses Sitzschalenstuhls infolge der Umgebungstemperatur, Sonneneinstrahlung, Heizkörpern usw. sehr warm oder sehr kalt werden können. Seien Sie daher vorsichtig beim Berühren. Tragen Sie bei kaltem Wetter Schutzbekleidung.
- Vorsicht beim Umgang mit Feuer, insbesondere brennenden Zigaretten; Sitz- und Rückenbespannung könnten sich entzünden.
- Nehmen Sie keinerlei Veränderungen an diesem Sitzschalenstuhl vor.

2.3 Symbole am Stuhl

Die nachstehend aufgeführten Symbole gelten für Ihren Sitzschalenstuhl. Symbole sind in der entsprechenden ISO-Norm (ISO 7000, ISO 7001 und IEC 417) zu finden.



Maximalgewicht des Benutzers (in kg)



Nur für den Gebrauch in Innenräumen



Typbezeichnung

Die Komfortstuhl entspricht den Anforderungen der folgenden Normen:

EN 1021-1, EN1021-2: Beständigkeit gegen Entzündung von gepolsterten Teilen

2.4 Montage/Demontage

Bei Lieferung des Komfortstuhls müssen Sitz und Rückenlehne vor Gebrauch montiert werden. Sitz und Rückenlehne lassen sich zum einfachen Transport auch abnehmen.

2.4.1 Rückenlehne

1. Schieben Sie die Rückenlehnenrohre über die Rahmenrohre.
2. Drücken Sie den Federknopf (1), um die Rückenlehne nach unten zu schieben.
3. Drücken Sie die Rückenlehne ganz nach unten, bis sie einrastet.

Um die Rückenlehne abzunehmen, drücken Sie den Federknopf unter der Polsterung und ziehen Sie die Rückenlehne nach oben, bis sie sich vom Rahmen löst.



2.4.2 Sitz

1. Schieben sie die Haken an der Unterseite des Sitzes über das hintere Rahmenrohr.
2. Drücken Sie die Vorderseite des Sitzes nach unten, um ihn zu fixieren. Sie hören ein Klicken.

Um den Sitz zu entfernen, ziehen Sie an der Vorderseite des Sitzes, bis er sich vom Rahmen löst.

2.5 Transport und Lagerung

**VORSICHT**

Gefahr von Personen- oder Sachschäden

- Geben Sie Acht, wenn Sie mit dem Sitzschalenstuhl enge Passagen befahren.
- Stellen Sie sicher, dass keine Gegenstände, Hindernisse und Personen im Weg sind.

2.5.1 Abstellen

1. Vergewissern Sie sich, dass die Bremsen des Komfortstuhls angezogen sind (nur für Modelle mit Rädern, siehe Kapitel 5).
2. Lagern Sie den Patienten aus der Komfortstuhl um.
3. Lösen Sie die Bremsen (nur für Modelle mit Rädern).
4. Stellen Sie die Rückenstütze in die aufrechte Position.
5. Transportieren Sie den Stuhl an den gewünschten Ort auf einem horizontalen Untergrund.
 - a) *Mit Rädern*: Bewegen Sie den Komfortstuhl mit Hilfe seiner Räder und rollen Sie ihn an sein Ziel.
 - b) *Ohne Räder*: Bitten Sie eine zweite Person, den Stuhl anzuheben. Ergreifen Sie den Rahmen fest mit beiden Händen und heben Sie ihn hoch. Heben Sie den Stuhl nicht an den Fußstützen, Armlehnen, Rollen oder Sitze an.
6. Betätigen Sie die Bremsen (nur für Modelle mit Rädern).

2.5.2 Lagerung

VORSICHT

Beschädigungsgefahr

Achten Sie darauf, dass Ihr Komfortstuhl trocken untergebracht ist, um zu verhindern, dass sich Schimmel bildet und die Polsterung beschädigt (siehe auch technische Details in Kapitel 5).

3 Benutzung des Stuhls

**WARNUNG**

Verletzungsgefahr

- Lesen Sie bitte zunächst die vorhergehenden Kapitel, um sich über die Benutzungsbedingungen zu informieren. Benutzen Sie den Sitzschalenstuhl NICHT, bevor Sie alle Anweisungen aufmerksam gelesen und vollständig verstanden haben.
- Bei Zweifeln oder Fragen wenden Sie sich bitte zwecks Hilfe an Ihren Fachhändler, Pflegedienst oder Fachberater.

**VORSICHT**

Gefahr von Personen- und/oder Sachschäden

- Achten Sie bei der Montage oder bei Einstellungen darauf, dass Finger, Kleidung, Gürtel, Schnallen oder Schmuck nicht von beweglichen Teilen erfasst werden.

3.1 Transfer in den/aus dem Stuhl

**VORSICHT**

Gefahr von Personen- oder Sachschäden

- Falls Sie den Vorgang allein nicht sicher bewältigen können, bitten Sie jemanden um Hilfe.
1. Vergewissern Sie sich, dass die Bremsen des Komfortstuhls angezogen sind (nur für Modelle mit Rädern, siehe Kapitel 3.3).
 2. Stellen Sie die Rückenstütze in die aufrechte Position.
 3. Bewegen Sie die Person in den Stuhl hinein oder aus ihm heraus. Stellen Sie das Armpolster auf die gleiche Höhe wie das Sitzpolster für einen seitlichen Transfer (siehe Abschnitt 3.2.3).

3.1.1 Sitzen im Stuhl

Setzen Sie sich möglichst weit nach hinten, so dass Ihr Rücken an der Rückenlehne anliegt.

3.2 Komforteinstellungen

**VORSICHT**

Gefahr von Personen- oder Sachschäden

- Betätigen Sie stets die Bremsen, bevor Sie Einstellungen vornehmen (nur für Modelle mit Rädern, siehe Kapitel 3.3).

3.2.1 Neigung der Rücken Normandie/Languedoc

**VORSICHT**

Gefahr von Personen- oder Sachschäden

- Achten Sie darauf, dass die Komfortstuhl nicht nach hinten umkippen kann, wenn sie maximal nach hinten gestellt ist.
- Achten Sie darauf, dass sich im Einstellbereich keine Objekte oder Personen befinden (siehe Zonen mit Einklemmgefahr).

Der Winkel der Rückenstütze und der Beinstütze kann mithilfe einer Gasfeder verstellt werden.

Bereiche mit Einklemmgefahr sind in der Abbildung unten durch (1) gekennzeichnet.

Neigung des Komfortstuhls:

1. Ziehen Sie die Bremsen an (nur für Modelle mit Rädern, siehe Kapitel 3.3).
2. Um die Rückenlehne zu neigen, ziehen sie den Hebel (2) und drücken Sie gegen die Rückenlehne, bis Sie die gewünschte Position erreicht haben. Lassen Sie den Hebel los, um die Rückenlehne in der gewünschten Position zu blockieren. Beim Normandie lassen sich die Rückenlehne und die Beinstütze gleichzeitig neigen. (Neigung der Rücken: 13° - 45°; Neigung der Beinstütze: 0° - 90°)



3. Um die Neigung der Rückenlehne und der Beinstütze zu verringern, ziehen Sie den Hebel (2) und lassen Sie die Rückenlehne und die Beinstütze in die gewünschte Position zurückkehren. Lassen Sie den Hebel los, um die Rückenlehne und die Beinstütze in Position zu blockieren.



3.2.2 Neigung der Rücken und der Beinstütze Normandie 2F

 **VORSICHT** Gefahr von Personen- oder Sachschäden

- Achten Sie darauf, dass die Komfortstuhl nicht nach hinten umkippen kann, wenn sie maximal nach hinten gestellt ist.
- Achten Sie darauf, dass sich im Einstellbereich keine Objekte oder Personen befinden (siehe Zonen mit Einklemmgefahr).

Der Winkel der Rückenstütze und der Beinstütze kann mithilfe einer Gasfeder getrennt voneinander verstellt werden.

Bereiche mit Einklemmgefahr sind in der obigen Abbildung durch (1) gekennzeichnet.

Neigung des Komfortstuhls:

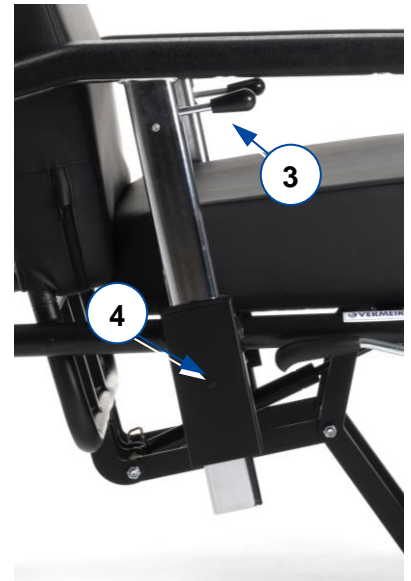
1. Ziehen Sie die Bremsen an (nur für Modelle mit Rädern, siehe Kapitel 3.3).
2. Um die Rückenlehne zu neigen, ziehen sie den oberen Hebel (2) und drücken Sie gegen die Rückenlehne, bis Sie die gewünschte Position erreicht haben. Lassen Sie den Hebel los, um die Rückenlehne in der gewünschten Position zu blockieren. (Neigung der Rücken: 13° - 45° ; Neigung der Beinstütze: 0° - 90°)
3. Um die Beinstütze zu neigen, ziehen Sie den unteren Hebel (3) und bringen Sie die Beinstütze in die gewünschte Position.
4. Um die Neigung der Rückenlehne und der Beinstütze zu verringern, ziehen Sie den Hebel (2 oder 3) und lassen Sie die Rückenlehne und die Beinstütze in die gewünschte Position zurückkehren. Lassen Sie den Hebel los, um die Rückenlehne und die Beinstütze in Position zu blockieren.



3.2.3 Einstellen der Armlehnen

Die Armlehnen können in der Höhe verstellt und zum Umlagern des Patienten auf die Höhe des Sitzrahmens abgesenkt werden.

1. Ziehen Sie den Hebel der Armlehnen (3) aufwärts (in Richtung der Armpolster).
2. Die Sperrfeder wird dadurch freigegeben und die Armlehne kann im Sockel (4) in die gewünschte Position bewegt werden (114 mm Gesamtbereich, Schritte von 19 mm).

**VORSICHT**

Verletzungsgefahr

- Wenn die Sperrfeder außerhalb des Armlehnensockels (4) bewegt wird, ist die Armlehne nicht gesperrt. Verwenden Sie diese Position nur für die seitliche Umlagerung des Patienten.

Positionierung zur seitlichen Umlagerung des Patienten:

Ziehen Sie den Hebel (3) und schieben Sie die Armlehne nach unten in die niedrigste Position.

Das Armpolster weist nun die gleiche Höhe wie das Sitzkissen auf.

3.3 Laufrollen / Feststellbremsen (nur für Modelle mit Rädern).

**VORSICHT**

Gefahr von Personen- oder Sachschäden

- Verriegeln Sie alle vier Rollen, um die Komfortstuhl in die Parkposition zu bringen.
- Achten Sie darauf, dass der Komfortstuhl auf einer flachen, horizontalen Fläche steht, bevor Sie die Bremsen lösen. Lösen Sie niemals alle Bremsen gleichzeitig.

**5**

Anziehen der Feststellbremsen

Drücken Sie die grau Bremsplatte der Rolle mit dem Fuß nach unten, bis sie einrastet. Die Laufrollen sind nun unbeabsichtigtes gegen Rollen gesichert.

6

Lösen der Feststellbremsen

Drücken Sie die Bremsplatte der Rollen mit dem Fuß in die Richtung des Rahmens. Die Laufrollen sind nun für die Roll- und Drehbewegung freigegeben.

4 Instandhaltung

- i** Bei regelmäßiger Pflege wird Ihr Komfortstuhl in einem einwandfreien Zustand bleiben. Hinweise zur Wartung entnehmen Sie bitte der Website von Vermeiren: www.vermeiren.com.

4.1 Wartungspunkte

 **VORSICHT** Gefahr von Personen- oder Sachschäden

Reparaturen und Erneuerungen dürfen nur von geschultem Personal und mit Original-Ersatzteilen von Vermeiren durchgeführt werden.

- i** Auf der letzten Seite dieses Handbuchs befindet sich ein Registrierungsformular, auf dem der Fachhändler jeden Service dokumentieren kann.

Die Wartungshäufigkeit hängt von der Häufigkeit und Intensität der Nutzung ab. Wenden Sie sich an Ihren Händler, um einen allgemeinen Zeitplan für Inspektion/Wartung/Reparatur zu vereinbaren.

Vor jeder Benutzung

Inspektionspunkte:

- Alle Komponenten: Vorhanden und nicht beschädigt oder verschlissen
- Alle Komponenten: Sauber (siehe Kapitel 4.2.1)
- Rollen, Rückenlehne, Sitz: korrekt gesichert.
- Funktionsweise von Gasfedern, Bremsen, Armlehnen.
- Rollen/Reifen: von Drähten, Haaren, Sand, Fasern und andere Verunreinigungen (Öl, Schmutz) freihalten.
- Zustand der Rahmenteile: keine Deformation, Instabilität, Schwachstelle oder lose Verbindungen
- Polsterung, Sitzkissen, Wadenplatte: kein übermäßiger Verschleiß (wie Eindellungen, Beschädigungen oder Risse)

Wenden Sie sich wegen etwaiger Reparaturen oder Ersatzteilen an Ihren Fachhändler.

4.2 Wartungshinweise

4.2.1 Reinigung

 **VORSICHT** Beschädigungsgefahr

- Benutzen Sie keinesfalls einen Dampfreiniger, um den Stuhl zu reinigen.

Wischen Sie alle festen Teile des Sitzschalenstuhls mit einem feuchten (nicht durchnässten) Tuch ab. Benutzen Sie ggf. eine milde Seife, die für Lacke und Kunststoffe geeignet ist.

Die Polsterung kann mit lauwarmem Wasser und einer milden Seife gereinigt werden. Verwenden Sie keine scheuernden Reinigungsmittel oder -schwämme oder eine harte Bürste zum Reinigen.

4.2.2 Desinfizieren

 **VORSICHT** Beschädigungsgefahr

Eine Desinfektion darf nur von dafür geschultem Personal durchgeführt werden. Wenden Sie sich hierfür an Ihren Fachhändler.

4.3 Voraussichtliche Nutzungsdauer

Die durchschnittliche Nutzungsdauer Ihres Komfortstuhls beträgt 5 Jahre. Je nach Nutzungshäufigkeit, Betriebsbedingungen und Wartung kann die Nutzungsdauer Ihres Komfortstuhls länger oder kürzer sein.

4.4 Wiederbenutzung

Lassen Sie den Komfortstuhl vor jeder Wiederbenutzung desinfizieren, inspizieren und entsprechend den Anweisungen in Abschnitt 4.1 und 4.2 warten.

4.5 Nutzungsende

Am Ende seiner Nutzungsdauer muss Ihr Sitzschalenstuhl gemäß den geltenden Umweltvorschriften entsorgt werden. Dazu wird er im besten Fall zerlegt, um den Transport wiederverwertbarer Teile zu erleichtern.

5 Technische Daten

Die nachstehenden technischen Daten gelten für diesen Rollstuhl nur bei Standardeinstellungen und optimalen Umgebungsbedingungen. Berücksichtigen Sie diese Details bei der Benutzung. Die Werte gelten nicht mehr, falls Ihr Sitzschalenstuhl modifiziert wurde, beschädigt ist oder starke Verschleißerscheinungen aufweist.

Marke	Vermeiren
Typ	Komfortstuhl
Modell	Normandie
Max. Benutzergewicht	130 kg

<i>Beschreibung</i>	<i>Abmessungen</i>	
	<i>Ohne Rollen</i>	<i>Mit Rollen</i>
Gesamtlänge	860 mm	
Gesamtbreite	685 mm	
Gesamtgewicht	Ca. 27,8 kg	Ca. 29,15 kg
Gewicht des schwersten Teils	19,45 kg	19,2 kg
Gewichte von Teilen, die demontierbar oder abnehmbar sind	Sitz: 2,85 kg Rückenlehne: 5,45 kg	Sitz: 2,85 kg Rückenlehne: 7,1 kg
Sitzflächenwinkel	8°	
Sitztiefe	480 mm	
Sitzbreite	500 mm	
Sitzflächenhöhe an der Vorderkante	500 mm	520 mm
Rückenlehnenwinkel	13° – 45°	
Rückenlehnenhöhe	750 mm	
Abstand zwischen Armlehne und Sitz	0 mm (nur für seitlichen Ein-/Ausstieg) 150 mm - 210 mm	
Gesamthöhe	1200 mm	1205 mm
Höhe zerlegt	490 mm	
Dicke des Kissens	100 mm	
Winkel zwischen Sitz und Beinstütze	0° - 90°	
Benutzungs- und Lagerungstemperatur	+ 5 °C - + 40 °C	
Benutzungs- und Lagerungsfeuchte	30% - 70%	
Technische Änderungen jederzeit vorbehalten. Messtoleranz ±15 mm / 1,5 kg / 1,5°.		

Tabelle 1: Technische Daten Normandie

DE

Marke	Vermeiren
Typ	Komfortstuhl
Modell	Languedoc
Max. Benutzergewicht	130 kg

Beschreibung	Abmessungen	
	Ohne Rollen	Mit Rollen
Gesamtlänge	860 mm	
Gesamtbreite	685 mm	
Gesamtwicht	Ca. 22,4 kg	Ca. 23,75 kg
Gewicht des schwersten Teils	14,1 kg	13,8 kg
Gewichte von Teilen, die demontierbar oder abnehmbar sind	Sitz: 2,85 kg Rückenlehne: 5,45 kg	Sitz: 2,85 kg Rückenlehne: 7,1 kg
Sitzflächenwinkel	8°	
Sitztiefe	480 mm	
Sitzbreite	500 mm	
Sitzflächenhöhe an der Vorderkante	500 mm	520 mm
Rückenlehnenwinkel	13° – 45°	
Rückenlehnenhöhe	750 mm	
Abstand zwischen Armlehne und Sitz	0 mm (nur für seitlichen Ein-/Ausstieg) 150 mm - 210 mm	
Gesamthöhe	1200 mm	1205 mm
Höhe zerlegt	490 mm	
Dicke des Kissens	100 mm	
Benutzungs- und Lagerungstemperatur	+ 5 °C - + 40 °C	
Benutzungs- und Lagerungsfeuchte	30% - 70%	
Technische Änderungen jederzeit vorbehalten. Messtoleranz ±15 mm / 1,5 kg / 1,5°.		

Tabelle 1: Technische Daten Languedoc

Marke	Vermeiren
Typ	Komfortstuhl
Modell	Normandie 2F
Max. Benutzergewicht	130 kg

Beschreibung	Abmessungen	
	Ohne Rollen	Mit Rollen
Gesamtlänge	860 mm	
Gesamtbreite	685 mm	
Gesamtwicht	Ca. 30,4 kg	Ca. 32,1 kg
Gewicht des schwersten Teils	21,6 kg	22,9 kg
Gewichte von Teilen, die demontierbar oder abnehmbar sind	Sitz: 2,85 kg Rückenlehne: 5,45 kg	Sitz: 2,85 kg Rückenlehne: 7,1 kg
Sitzflächenwinkel	8°	
Sitztiefe	480 mm	
Sitzbreite	500 mm	
Sitzflächenhöhe an der Vorderkante	500 mm	520 mm
Rückenlehnenwinkel	13° – 45°	
Rückenlehnenhöhe	750 mm	
Abstand zwischen Armlehne und Sitz	0 mm (nur für seitlichen Ein-/Ausstieg) 150 mm - 210 mm	
Gesamthöhe	1200 mm	1205 mm
Höhe zerlegt	490 mm	
Dicke des Kissens	100 mm	
Winkel zwischen Sitz und Beinstütze	0° - 90°	
Benutzungs- und Lagerungstemperatur	+ 5 °C - + 40 °C	
Benutzungs- und Lagerungsfeuchte	30% - 70%	

Technische Änderungen jederzeit vorbehalten. Messtoleranz ±15 mm / 1,5 kg / 1,5°.

Tabelle 1: Technische Daten Normandie 2F

Sommaro

Sommaro	1
Premessa	2
1 Questo prodotto	3
2 Prima dell'uso	4
2.1 Uso previsto	4
2.2 Istruzioni generali di sicurezza	4
2.3 Simboli presenti sul seggiolone	4
2.4 Montaggio/Smontaggio	5
2.5 Trasporto e magazzinaggio.....	5
3 Uso della sedia	6
3.1 Trasferimento alla/dalla seggiola	6
3.2 Regolazioni per il comfort (secondo la versione)	6
3.3 Ruote / freni di stazionamento (solo per il modello con ruote)	8
4 Manutenzione	9
4.1 Punti di manutenzione	9
4.2 Istruzioni per la manutenzione	9
4.3 Durata prevista.....	9
4.4 Utilizzi successivi	10
4.5 Fine vita	10
5 Specifiche tecniche	11

Premessa

IT

Grazie per la fiducia accordata ai prodotti Vermeiren. Questo manuale viene fornito come supporto per l'uso della sedia comfort e delle sue opzioni operative. Leggerlo attentamente, in quanto aiuta a familiarizzarsi con il funzionamento, le prestazioni e le limitazioni della sedia.

Per eventuali ulteriori domande successive alla lettura di questo manuale, rivolgersi al proprio rivenditore specializzato, che sarà lieto di fornire un supporto sull'argomento.

Nota importante

Per garantire la propria sicurezza e prolungare la durata del prodotto, trattarlo con cura e farlo controllare e/o sottoporlo a manutenzione con regolarità.

Questo manuale rispecchia gli sviluppi più recenti del prodotto. Vermeiren si riserva il diritto di introdurre modifiche di questo tipo di prodotto senza alcun obbligo di adattare o sostituire i prodotti analoghi consegnati in precedenza.

Le immagini vengono utilizzate per chiarire le istruzioni contenute nel manuale. I dettagli del prodotto raffigurato possono essere diversi da quelli del prodotto in uso.

Informazioni disponibili

Sul sito Web di Vermeiren, all'indirizzo <http://www.vermeiren.com/>, è sempre disponibile la versione più recente delle informazioni indicate di seguito. Visitare con regolarità tale sito per verificare l'esistenza di eventuali aggiornamenti.

Le persone ipovedenti possono scaricare la versione elettronica di questo manuale e farlo leggere da un software applicativo di sintesi vocale.



Questo manuale di istruzioni
Per l'utente e il rivenditore specializzato



Manuale di assistenza
Per il rivenditore specializzato



Dichiarazione di conformità CE

1 Questo prodotto

IT



1. Telaio di base
2. Schienale regolabile
3. Sedile rimovibile
4. Braccioli regolabili in altezza
5. Imbottiture dei braccioli
6. Appoggiamambe
7. Leva per inclinazione (Normandie 2F: 2 leve)
8. Ruote per il trasporto
9. Ruote (facoltative)
10. Maniglione (facoltative)
11. Della targhetta di identificazione



2 Prima dell'uso

IT

2.1 Uso previsto

i Questo paragrafo fornisce una breve descrizione dell'uso previsto della sedia comfort. Gli altri paragrafi aggiungono inoltre alle istruzioni ulteriori avvertenze di rilievo. Vermeiren desidera in tal modo portare all'attenzione dell'utente gli eventuali usi errati che possono presentarsi.

- La sedia comfort è destinata all'uso da parte degli anziani, dei pazienti paralizzati o durante la riconvalida.
- Questa sedia è adatta unicamente per l'uso al coperto su superfici piane orizzontali.
- Essa è progettata e realizzata esclusivamente come sedile e punto di riposo per una (1) sola persona di peso non superiore a 130 kg. Essa non è viceversa progettata per il trasporto di merci od oggetti, o per qualunque uso diverso da quello descritto in precedenza.
- Se necessario, utilizzare esclusivamente accessori e ricambi approvati da Vermeiren.
- Leggere tutte le informazioni tecniche di dettaglio e le limitazioni del seggiolone riportate nel §5.
- La garanzia relativa al prodotto presuppone un uso e una manutenzione normali del medesimo, come descritti in questo manuale. I danni al prodotto dovuti a uso improprio o manutenzione carente causano la decadenza della garanzia.

2.2 Istruzioni generali di sicurezza

 **ATTENZIONE** Rischio di lesioni e/o danni

Durante l'uso, tenere presenti le seguenti avvertenze:

- Non dimenticare che alcune parti della sedia possono diventare molto calde o fredde a causa della temperatura ambiente, della radiazione solare o di dispositivi di riscaldamento. Prestare attenzione quando si tocca la sedia. In condizioni climatiche fredde, utilizzare indumenti protettivi.
- Prestare attenzione a sigarette o ad altre possibili fonti di calore che potrebbero causare danni ai rivestimenti del sedile e dello schienale, infiammabili.
- Non modificare in alcun modo la sedia comfort.

2.3 Simboli presenti sul seggiolone

Sul seggiolone sono applicati i simboli contenuti nell'elenco che segue. I simboli sono riportati nella norma ISO pertinente (ISO 7000, ISO 7001 e IEC 417).



Peso massimo dell'utente, in kg



Solo per l'uso al coperto



Indicazione del modello

La sedia monoscocca è conforme ai requisiti stabiliti in:

EN 1021-1, EN1021-2: resistenza all'accensione di parti imbottite

2.4 Montaggio/Smontaggio

Il sedile e lo schienale devono essere montati prima dell'utilizzo della poltrona. Gli stessi potranno essere poi rimossi per un facile trasporto.

2.4.1 Schienale

1. Posizionare i tubi dello schienale in linea con i tubi del telaio.
2. Premere il pulsante (1) e far scorrere i tubi dello schienale nel telaio.
3. Spingere lo schienale sino al bloccaggio.

Per rimuovere lo schienale, premere il pulsante sotto il coperchio e sollevare lo schienale dal telaio.



2.4.2 Sedile

1. Posizionare gli attacchi nella parte posteriore del telaio in prossimità dello schienale.
2. Fare pressione nella parte anteriore per il fissaggio completo. Si sentirà un click.

Per togliere il sedile alzare la parte anteriore sui due lati.

2.5 Trasporto e magazzinaggio

**ATTENZIONE**

Rischio di lesioni e danni

- Prestare attenzione quando si attraversano con la sedia eventuali passaggi stretti.
- Accertarsi che il passaggio in questione sia libero da oggetti, ostacoli e persone.

2.5.1 Spostamenti laterali

1. Controllare che siano inseriti i freni della sedia comfort (solo per il modello con ruote, vedere il §3.3)
2. Trasferire il paziente nella/della sedia.
3. Rilasciare i freni (solo per il modello con ruote).
4. Spostare lo schienale in posizione eretta.
5. Trasportare la sedia al posto desiderato su un piano orizzontale sotterraneo.
 - a) *Con ruote*: Muovere la sedia comfort utilizzando le ruote e farla rotolare a destinazione.
 - b) *Senza ruote*: Chiedere aiuto per sollevare la sedia con due persone. Afferrare saldamente il telaio con entrambe le mani e sollevare il seggiolone dal pavimento. Non afferrare la sedia utilizzando le ruote, appoggiagambe, braccioli, o il sedile.
6. Azionare i freni (solo per il modello con ruote).

2.5.2 Magazzinaggio

ATTENZIONE

Rischio di danni

Avere cura di immagazzinare il seggiolone a guscio in un luogo asciutto, per evitare la formazione di muffa e danni alla selleria; vedere anche le informazioni tecniche di dettaglio riportate nel § 5.

3 Uso della sedia

AVVERTENZA Rischio di lesioni

- Leggere anzitutto il capitolo precedente per familiarizzarsi con l'uso previsto. **NON** utilizzare la sedia senza avere letto e compreso a fondo tutte le istruzioni.
- In caso di dubbi o domande, non esitare a rivolgersi al proprio rivenditore specializzato di zona, al proprio fornitore di cure sanitarie o a un consulente tecnico per un aiuto al riguardo.

ATTENZIONE Rischio di lesioni e/o danni

- Accertarsi che dita, indumenti, cinture, fibbie o gioielli non si impiglino nei componenti in movimento durante il montaggio, l'uso o la regolazione.

3.1 Trasferimento alla/dalla seggiola

ATTENZIONE Rischio di lesioni o di danni

- Se non si è in grado di effettuare il trasferimento in condizioni di sicurezza, richiedere l'assistenza di un'altra persona.
1. Controllare che siano inseriti i freni della sedia comfort (solo per il modello con ruote, vedere il §3.3).
 2. Spostare lo schienale in posizione eretta.
 3. Trasferire il paziente nella/della sedia. Posizionare l'imbottitura dei braccioli alla stessa altezza dell'imbottitura del sedile per lo spostamento laterale (vedere il § 3.2.3).

3.1.1 Posizione di seduta sul seggiolone

Posizionarsi il più vicino possibile allo schienale.

3.2 Regolazioni per il comfort (secondo la versione)

ATTENZIONE Rischio di lesioni o di danni

- Inserire sempre i freni prima di eseguire qualunque regolazione (solo per il modello con ruote, vedere il §3.3).

3.2.1 Inclinazione dello schienale Normandie/Languedoc

ATTENZIONE Rischio di lesioni o di danni

- Assicurarsi che la sedia non rischi di ribaltarsi all'indietro quando regolata con la massima inclinazione posteriore.
- Accertarsi che nessun oggetto o persona si trovi nell'area di regolazione (vedere le zone di intrappolamento).

Schienale e poggiatesta possono essere regolati mediante la molla a gas pneumatica.

Le zone di intrappolamento sono indicate nella figura seguente da (1).

Per inclinare la sedia comfort:

1. Inserire i freni (solo per il modello con ruote, vedere il §3.3).
2. Per reclinare lo schienale, sollevare la leva(2) e spingere contro lo schienale fino a raggiungere la posizione desiderata. Lasciare la leva quando si è raggiunta la posizione dello schienale. Per la Normandie, lo schienale e il poggiatesta si inclinano contemporaneamente. (Inclinazione schienale: 13° - 45°; inclinazione poggiatesta: 0° - 90°)



3. Per ridurre l'inclinazione dello schienale e dell'appoggiagambe, premere la leva (2) e lo schienale e l'appoggiagambe ritorneranno alla posizione iniziale. Lasciare la leva quando si e' raggiunta la posizione dello schienale e appoggiagambe.



3.2.2 Inclinazione dello schienale e del poggiamambe Normandie 2F

 **ATTENZIONE** Rischio di lesioni o di danni

- Assicurarsi che la sedia non rischi di ribaltarsi all'indietro quando regolata con la massima inclinazione posteriore.
- Accertarsi che nessun oggetto o persona si trovi nell'area di regolazione (vedere le zone di intrappolamento).

Schienale e poggiamambe possono essere regolati separatamente mediante la molla a gas pneumatica.

Le zone di intrappolamento sono indicate nella figura precedente da (1).

Per inclinare la sedia comfort:

1. Inserire i freni (solo per il modello con ruote, vedere il §3.3).
2. Per reclinare lo schienale, sollevare la leva superiore (2) e spingere contro lo schienale fino a raggiungere la posizione desiderata. Lasciare la leva quando si e' raggiunta la posizione dello schienale. (Inclinazione schienale: 13° - 45°; inclinazione poggiamambe: 0° - 90°)
3. Per inclinare il poggiamambe, tirare la leva inferiore (3) e posizionare il poggiamambe nella posizione desiderata.
4. Per ridurre l'inclinazione dello schienale e dell'appoggiagambe, premere la leva (2 o 3) e lo schienale e l'appoggiagambe ritorneranno alla posizione iniziale. Lasciare la leva quando si e' raggiunta la posizione dello schienale e appoggiagambe.



3.2.3 Regolazione dei braccioli

I braccioli possono essere regolati in altezza e abbassati a livello della scocca del sedile per spostare lateralmente il paziente.

1. Tirare la leva dei braccioli (3) verso l'alto (in direzione dell'imbottitura dei braccioli).
2. La molla di bloccaggio sarà rilasciata e il bracciolo potrà essere spostato all'interno del proprio alloggiamento (4) nella posizione desiderata (intervallo di 114 mm: incrementi fissi di 19 mm).

**ATTENZIONE**

Rischio di lesioni

- Se la molla di bloccaggio viene guidata fuori dall'alloggiamento del bracciolo (4), il bracciolo non è bloccato. Usare questa posizione solo per il trasferimento laterale del paziente.

Posizione per trasferimento laterale del paziente:

Tirare la leva (3) e spingere il bracciolo verso il basso nella posizione più bassa possibile.

A questo punto, l'imbottitura dei braccioli è alla stessa altezza dell'imbottitura del sedile.



3.3 Ruote / freni di stazionamento (solo per il modello con ruote)

**ATTENZIONE**

Rischio di lesioni o di danni

- Per parcheggiare la sedia, bloccare tutte e quattro le ruote.
- Prima di rilasciare i freni, accertarsi che la sedia si trovi su una superficie orizzontale. Non rilasciare mai tutti i freni contemporaneamente.

**1****Innesto dei freni di stazionamento**

Premere con il piede la piastra frenante grigio della ruota verso il basso fino a bloccarla. A questo punto le ruote non possono scorrere.

2**Disinnesto dei freni**

Premere con il piede la piastra frenante ruote verso l'intelaiatura. A questo punto le ruote possono scorrere e girare.

4 Manutenzione

- i** Una cura regolare garantisce che la sedia rimanga in perfette condizioni di funzionamento. Per il manuale di manutenzione consultate il sito web Vermeiren: www.vermeiren.com.

4.1 Punti di manutenzione

ATTENZIONE Rischio di lesioni e danni

Riparazioni e sostituzioni devono essere eseguite esclusivamente da personale con un'opportuna formazione e utilizzando unicamente ricambi originali Vermeiren.

- i** L'ultima pagina di questo manuale contiene un modulo di registrazione che consente ai rivenditori specializzati di registrare ogni intervento di assistenza.

La frequenza di assistenza dipende dalla frequenza e dall'intensità dell'uso. Concordare con il proprio rivenditore un calendario comune per le attività di ispezione / manutenzione / riparazione.

Prima di ciascun utilizzo

Ispezionare i seguenti punti:

- Tutti i componenti: Presenti e privi di danni o usura.
- Tutti i componenti: Puliti, vedere il § 4.2.1.
- Ruote, schienale, sedia: Ben fissati.
- Funzionamento delle molle a gas, freni, braccioli.
- Ruote/pneumatici; mantenerli liberi da fili metallici, capelli, sabbia, fibre e altri contaminanti (olio, fango).
- Condizioni dei componenti del telaio: Assenza di deformazioni, instabilità, punti deboli o raccordi allentati
- Selleria, cuscino del sedile e cuscino appoggiapolpacci: Assenza di usura eccessiva (punti ammaccati, danni o lacerazioni).

Rivolgersi al proprio rivenditore specializzato per le riparazioni o i ricambi eventualmente necessari.

4.2 Istruzioni per la manutenzione

4.2.1 Pulizia

ATTENZIONE Rischio di danni

- Non pulire il seggiolone con pulitori a vapore.

Strofinare tutti i componenti rigidi del telaio del seggiolone con un panno umido (non zuppo). Se necessario, utilizzare un detergente delicato, adatto per smalti e materiali sintetici.

È possibile pulire la selleria con acqua tiepida e un detergente delicato. Non utilizzare per la pulizia detersivi o spugne abrasivi, né spazzole dure.

4.2.2 Disinfezione

ATTENZIONE Rischio di danni

La disinfezione deve essere eseguita esclusivamente da personale con un'opportuna formazione. Consultare il proprio concessionario autorizzato.

4.3 Durata prevista

La sedia ha una durata media prevista di 5 anni. Tale valore aumenta o diminuisce a seconda della frequenza di utilizzo, delle condizioni di guida e della manutenzione.

4.4 Utilizzi successivi

Prima di ogni utilizzo successivo, fare disinfettare, ispezionare e sottoporre a manutenzione la sedia secondo le istruzioni dei §4.1 e §4.2 .

4.5 Fine vita

A fine vita, occorre smaltire il seggiolone conformemente alla legislazione ambientale locale. Il modo migliore per farlo consiste nello smontare il seggiolone per agevolare il trasporto dei componenti riciclabili.

5 Specifiche tecniche

I dettagli tecnici riportati di seguito sono validi soltanto per la sedia oggetto del manuale, con le impostazioni standard e in condizioni ambiente ottimali. Durante l'uso, tenere conto di questi dati di dettaglio. I valori indicati non sono più validi se la sedia ha subito modifiche o danni, oppure presenta un livello elevato di usura.



Marchio	Vermeiren
Tipo	Sedia comfort
Modello	Normandie
Peso massimo dell'utente	130 kg

<i>Descrizione</i>	<i>Dimensioni</i>	
	<i>Senza ruote</i>	<i>Con ruote</i>
Lunghezza complessiva	860 mm	
Larghezza complessiva	685 mm	
Massa totale	Circa 27,8 kg	Circa 29,15 kg
Massa della parte più pesante	19,45 kg	19,2 kg
Peso delle parti smontabili o rimovibili	Sedile: 2,85 kg Schienale: 5,45 kg	Sedile: 2,85 kg Schienale: 7,1 kg
Basculamento del sedile	8°	
Profondità del sedile	480 mm	
Larghezza del sedile	500 mm	
Altezza del sedile in corrispondenza del bordo anteriore	500 mm	520 mm
Angolazione dell'appoggiatesta	13° - 45°	
Altezza dello schienale	750 mm	
Distanza tra bracciolo e sedile	0 mm (solo per spostamento laterale) 150 mm - 210 mm	
Altezza complessiva	1200 mm	1205 mm
Altezza quando smontata	490 mm	
Spessore del cuscino di seduta	100 mm	
Inclinazione tra sedile e poggiatesta	0° - 90°	
Temperatura di magazzinaggio e di utilizzo	+ 5 °C - + 40 °C	
Umidità di magazzinaggio e di utilizzo	30% - 70%	
Vermeiren si riserva il diritto di introdurre modifiche tecniche. Tolleranze di misurazione ± 15 mm / 1,5 kg / 1,5°.		

Tabella 1: Specifiche tecniche Normandie

Marchio	Vermeiren
Tipo	Sedia comfort
Modello	Languedoc
Peso massimo dell'utente	130 kg

<i>Descrizione</i>	<i>Dimensioni</i>	
	<i>Senza ruote</i>	<i>Con ruote</i>
Lunghezza complessiva	860 mm	
Larghezza complessiva	685 mm	
Massa totale	Circa 22,4 kg	Circa 23,75 kg
Massa della parte più pesante	14,1 kg	13,8 kg
Peso delle parti smontabili o rimovibili	Sedile: 2,85 kg Schienale: 5,45 kg	Sedile: 2,85 kg Schienale: 7,1 kg
Basculamento del sedile	8°	
Profondità del sedile	480 mm	
Larghezza del sedile	500 mm	
Altezza del sedile in corrispondenza del bordo anteriore	500 mm	520 mm
Angolazione dell'appoggiatesta	13° - 45°	
Altezza dello schienale	750 mm	
Distanza tra bracciolo e sedile	0 mm (solo per spostamento laterale) 150 mm - 210 mm	
Altezza complessiva	1200 mm	1205 mm
Altezza quando smontata	490 mm	
Spessore del cuscino di seduta	100 mm	
Temperatura di magazzinaggio e di utilizzo	+ 5 °C - + 40 °C	
Umidità di magazzinaggio e di utilizzo	30% - 70%	
Vermeiren si riserva il diritto di introdurre modifiche tecniche. Tolleranze di misurazione ± 15 mm / 1,5 kg / 1,5°.		

Tabella 1: Specifiche tecniche Languedoc

Marchio	Vermeiren
Tipo	Sedia comfort
Modello	Normandie 2F
Peso massimo dell'utente	130 kg

<i>Descrizione</i>	<i>Dimensioni</i>	
	<i>Senza ruote</i>	<i>Con ruote</i>
Lunghezza complessiva	860 mm	
Larghezza complessiva	685 mm	
Massa totale	Circa 30,4 kg	Circa 32,1 kg
Massa della parte più pesante	21,6 kg	22,9 kg
Peso delle parti smontabili o rimovibili	Sedile: 2,85 kg Schienale: 5,45 kg	Sedile: 2,85 kg Schienale: 7,1 kg
Basculamento del sedile	8°	
Profondità del sedile	480 mm	
Larghezza del sedile	500 mm	
Altezza del sedile in corrispondenza del bordo anteriore	500 mm	520 mm
Angolazione dell'appoggiatesta	13° - 45°	
Altezza dello schienale	750 mm	
Distanza tra bracciolo e sedile	0 mm (solo per spostamento laterale) 150 mm - 210 mm	
Altezza complessiva	1200 mm	1205 mm
Altezza quando smontata	490 mm	
Spessore del cuscino di seduta	100 mm	
Inclinazione tra sedile e poggiatesta	0° - 90°	
Temperatura di magazzino e di utilizzo	+ 5 °C - + 40 °C	
Umidità di magazzino e di utilizzo	30% - 70%	
Vermeiren si riserva il diritto di introdurre modifiche tecniche. Tolleranze di misurazione ± 15 mm / 1,5 kg / 1,5°.		

Tabella 1: Specifiche tecniche Normandie 2F

Índice

Índice	1
Introducción	2
1 El producto	3
2 Antes de su uso	4
2.1 Uso previsto	4
2.2 Instrucciones generales de seguridad	4
2.3 Símbolos presentes en el sillón	4
2.4 Montaje / Desmontaje.....	5
2.5 Transporte y almacenamiento	5
3 Uso de este sillón	6
3.1 Trasladarse hacia/del sillón	6
3.2 Ajustes de comodidad (según la versión).....	6
3.3 Giro libre de las ruedas / frenos de estacionamiento (solo para modelo con ruedas)	8
4 Mantenimiento	9
4.1 Puntos de mantenimiento	9
4.2 Instrucciones de mantenimiento	9
4.3 Vida útil prevista	10
4.4 Reutilizar	10
4.5 Fin de vida útil	10
5 Especificaciones técnicas	11

Introducción

Le agradecemos su confianza en los productos Vermeiren. Le ofrecemos este manual para ayudarle en la utilización de su sillón y sus opciones de manejo. Léalo detenidamente. Le ayudará a familiarizarse con el manejo, las capacidades y limitaciones de su sillón.

ES

Si todavía tiene alguna duda después de leer este manual, contacte con su distribuidor especializado, estará encantado de ayudarle.

Nota importante

Para garantizar su seguridad y prolongar la vida útil de su producto, cuídalo bien y asegúrese de realizar revisiones y mantenimientos de manera regular.

Este manual refleja los desarrollos más recientes del producto. Vermeiren se reserva el derecho a implementar cambios en este tipo de producto sin que ello suponga obligación alguna de adaptar o cambiar productos similares previamente entregados.

Las imágenes están presentes para clarificar las instrucciones contenidas en este manual. Los detalles del producto mostrado pueden variar con su producto.

Información disponible

En nuestro sitio web <http://www.vermeiren.com/> siempre encontrará la versión más reciente de la siguiente información. Consulte este sitio web de manera regular para estar al tanto de posibles actualizaciones.

Las personas con discapacidad visual pueden descargarse la versión electrónica del manual y utilizar un software de síntesis de voz para poder oír su contenido.



Este manual de instrucciones
Para el usuario y el distribuidor especializado



Manual de mantenimiento
Para el distribuidor especializado



Declaración CE de conformidad

1 El producto

ES



1. Chasis básico
2. Respaldo ajustable
3. Asiento extraíble
4. Reposabrazos de altura ajustable
5. Almohadillas del reposabrazos
6. Reposapiernas
7. Palanca de reclinación (Normandie 2F: 2 palancas)
8. Ruedas de transporte
9. Ruedas (opcional)
10. Barra de empuje (opcional)
11. Placa de identificación



2 Antes de su uso

2.1 Uso previsto

i Este párrafo describe brevemente el uso previsto del sillón. También se incluyen avisos pertinentes a las instrucciones en otros párrafos. De esta manera se pretende avisar al usuario de un eventual mal uso del aparato.

- El sillón está destinado a ser utilizado por personas mayores, durante la revalidación, o por pacientes que sufren de parálisis.
- El sillón es apta exclusivamente para interiores, en suelos planos y nivelados.
- Este sillón está diseñada y fabricada exclusivamente para transportar a una (1) persona con un peso máximo de 130kg. No está diseñada para transportar mercancías u objetos, o para otros usos que no sean los descritos anteriormente.
- Si fuera aplicable, utilizar sólo accesorios y piezas de repuesto aprobadas por Vermeiren.
- Consulte todos los detalles técnicos y las limitaciones del sillón en §5.
- La garantía de este producto se basa en el uso y mantenimiento normales descritos en este manual. La garantía se invalida si el producto sufre cualquier daño causado por un uso indebido o falta de mantenimiento.

2.2 Instrucciones generales de seguridad

 **PRECAUCIÓN** Riesgo de lesiones y daños

Tenga en cuenta las siguientes advertencias durante su utilización:

- Téngase en cuenta que ciertas partes del sillón pueden llegar a calentarse o enfriarse demasiado a causa de la temperatura ambiente, la luz del sol, equipos de calefacción, etc. Tenga siempre cuidado al tocar el sillón. Utilizar ropa protectora cuando haga frío.
- Tenga cuidado cuando utilice elementos que puedan provocar incendios, como un cigarrillo, ya que podrían prenderse los recubrimientos del respaldo o del asiento.
- No modificar de ningún modo este sillón.

2.3 Símbolos presentes en el sillón

Los símbolos de la siguiente lista son aplicables a el sillón. Los símbolos se encuentran en la norma ISO pertinente (ISO 7000, ISO 7001 y IEC 417)



Peso máximo del usuario en kg



Uso exclusivo en interiores



Tipo de modelo

El sillón concha cumple las especificaciones siguientes:

EN 1021-1, EN1021-2: Resistencia a la ignición de los componentes tapizados

2.4 Montaje / Desmontaje

Tras la entrega de la silla confort, el asiento y el respaldo deben instalarse antes de su uso. El asiento y el respaldo también se pueden quitar para facilitar el transporte.

2.4.1 Respaldo

1. Coloque los tubos del respaldo sobre los tubos del chasis.
2. Presione el botón de resorte (1) para deslizar el respaldo hacia abajo
3. Empuje el respaldo completamente hacia abajo hasta que quede asegurado en su lugar.

Para quitar el respaldo, presione el botón de resorte debajo de la tapicería y tire del respaldo hacia arriba hasta que se desprenda del chasis.

**ES**

2.4.2 Asiento

1. Coloque los ganchos en la parte trasera del asiento sobre el tubo del chasis, cerca del respaldo.
2. Empuje hacia abajo el lado delantero del asiento para fijarlo en su lugar. Oirá un clic.

Para quitar el asiento, tire de la parte delantera del asiento hasta que se separe del chasis.

2.5 Transporte y almacenamiento

**PRECAUCIÓN**

Riesgo de lesiones y daños

- Prestar mucha atención al pasar el sillón por caminos estrechos.
- Asegurarse de que el camino esté libre de objetos, obstáculos y personas.

2.5.1 Mover a un lado

1. Compruebe que los frenos del sillón de descanso estén accionados (solo para el modelo con ruedas, véase §3.3).
2. Pase al paciente fuera del sillón.
3. Suelte los frenos (solo para el modelo con ruedas).
4. Coloque el respaldo en posición vertical.
5. Transporte el sillón al lugar deseado en un terreno llano.
 - a) *Con ruedas*: Mueva el sillón de confort con sus ruedas y ruédela hasta su destino.
 - b) *Sin ruedas*: Pida ayuda para levantar el sillón con dos personas. Agarrar firmemente el bastidor con ambas manos y elevarla del suelo. No utilizar el reposapiés ni las ruedas, apoyabrazos y asiento para agarrar el sillón.
6. Accionar los frenos (solo para el modelo con ruedas).

2.5.2 Almacenamiento

PRECAUCIÓN

Riesgo de daños

Asegurarse de que el sillón se almacene seca, para prevenir la formación de moho y daños a la tapicería, véase también los detalles técnicos.

3 Uso de este sillón



AVISO

Riesgo de lesiones

- Leer antes los capítulos anteriores e informarse sobre el uso previsto. NO utilizar el sillón si no se han leído detenidamente y entendido completamente todas las instrucciones.
- En caso de dudas, contacte con su distribuidor especializado local, proveedor de cuidados o asesor técnico para recibir asesoramiento.



PRECAUCIÓN

Riesgo de lesiones y daños

- Asegurarse de que dedos, ropa, cinturones, hebillas o joyas no queden atrapados por piezas móviles durante su montaje, uso o ajuste.

3.1 Trasladarse hacia/del sillón



PRECAUCIÓN

Riesgo de lesiones o daños

- En caso de que no pueda hacer el traslado de manera segura, pídale ayuda a alguien.
1. Compruebe que los frenos del sillón estén accionados (solo para el modelo con ruedas, véase §3.3).
 2. Incline el respaldo hacia delante, hasta su máxima posición.
 3. Pase al paciente a/fuera del sillón. Coloque la almohadilla del reposabrazos a la misma altura que el cojín del asiento si el traslado es lateral (consulte la sección 3.2.3).

3.1.1 Sentarse en el sillón

Coloque la espalda lo más cerca posible del respaldo.

3.2 Ajustes de comodidad (según la versión)



PRECAUCIÓN

Riesgo de lesiones o daños

- Siempre aplicar los frenos antes de realizar mantenimientos (solo para el modelo con ruedas, véase §3.3).

3.2.1 Ajustar el respaldo Normandie/Languedoc



PRECAUCIÓN

Riesgo de lesiones o daños

- Asegúrese de que el sillón no se incline hacia atrás cuando lo recline al máximo.
- Asegúrese de que no haya objetos ni personas en la zona de ajuste (consulte Zonas peligrosas).

El ángulo del respaldo y del reposapiernas se puede ajustar mediante un resorte neumático.

Las zonas peligrosas están indicadas en la figura de abajo con (1).

Para reclinar el sillón de descanso:

1. Accione los frenos (solo para modelo con ruedas, véase §3.3).
2. Para inclinar el respaldo simultáneamente, tire de la palanca (2) y empuje contra el respaldo hasta alcanzar la posición deseada. Suelte la palanca para bloquear el respaldo en su posición. En Normandie, el respaldo y el reposapiernas se inclinan simultáneamente. (Reclinación del respaldo: 13° - 45° ; reclinación del reposapiernas: 0° - 90°).
3. Para reducir la inclinación del respaldo y del reposapiernas, tire de la palanca (2) y dejar que el respaldo y el reposapiernas vuelvan a la posición deseada. Suelte la palanca para bloquear



el respaldo y el reposapiernas en su posición.



Reclinación mínima



Reclinación máxima

3.2.2 Ajustar el respaldo y el reposapiernas Normandie 2F

 **PRECAUCIÓN** Riesgo de lesiones o daños

- Asegúrese de que el sillón no se incline hacia atrás cuando lo recline al máximo.
- Asegúrese de que no haya objetos ni personas en la zona de ajuste (consulte Zonas peligrosas).

El ángulo del respaldo y del reposapiernas se puede ajustar separadamente mediante un resorte neumático.

Las zonas peligrosas están indicadas en la figura anterior con (1).

Para reclinar el sillón de descanso:

1. Accione los frenos (solo para modelo con ruedas, véase §3.3).
2. Para inclinar el respaldo simultáneamente, tire de la palanca *superior* (2) y empuje contra el respaldo hasta alcanzar la posición deseada. Suelte la palanca para bloquear el respaldo en su posición. (Reclinación del respaldo: 13° - 45° ; reclinación del reposapiernas: 0° - 90°).
3. Para inclinar el reposapiernas, tire de la palanca *inferior* (3) y coloque el reposapiernas en la posición deseada.
4. Para reducir la inclinación del respaldo y del reposapiernas, tirar de la palanca (2) y dejar que el respaldo y el reposapiernas vuelvan a la posición deseada. Suelte la palanca para bloquear el respaldo y el reposapiernas en su posición.



3.2.3 Ajuste de los reposabrazos

Es posible ajustar la altura de los reposabrazos y dejarlos a la altura del chasis del asiento para trasladar al paciente por los laterales.

ES

1. Tire de la palanca de los reposabrazos (3) hacia arriba (en la dirección de la almohadilla del reposabrazos).
2. El resorte de bloqueo se liberará y el reposabrazos se podrá mover dentro del hueco para el reposabrazos (4) hasta la posición deseada (margen 114 mm, intervalos de 19 mm).

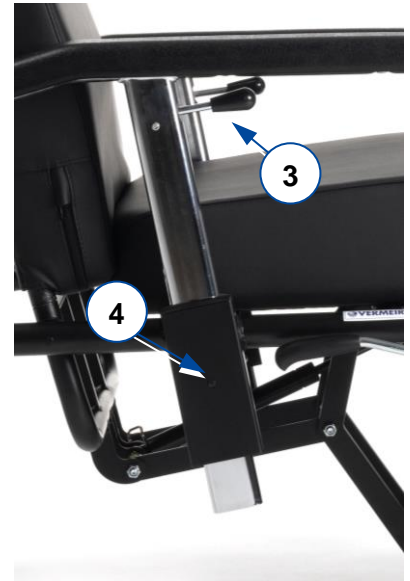
 **PRECAUCIÓN** Riesgo de lesiones o daños

- Si el muelle de bloqueo se pasa fuera del hueco para el reposabrazos (4), este no se bloquea. Use esta posición únicamente para trasladar al paciente por el lateral.

Posición para el traslado lateral del paciente:

Tire de la palanca (3) y coloque el reposabrazos en la posición más baja posible.

Ahora la almohadilla del reposabrazos pasa a estar a la misma altura que el cojín del asiento.



3.3 Giro libre de las ruedas / frenos de estacionamiento (solo para modelo con ruedas)

 **PRECAUCIÓN** Riesgo de lesiones o daños

- Bloquee las cuatro ruedas para fijar la posición de estacionamiento..
- Asegúrese de que el sillón de descanso se encuentra sobre una superficie horizontal plana antes de soltar los frenos. No suelte nunca los frenos a la misma vez.



5 Accionamiento de los frenos de estacionamiento

Empuje hacia abajo con el pie la placa gris del freno de la rueda hasta que quede bloqueada. Ahora las ruedas ya no pueden girar.

6 Liberación de los frenos de estacionamiento

Empuje con el pie, y en dirección al chasis, la placa del freno de las ruedas. Ahora las ruedas están libres y pueden rodar normalmente.

4 Mantenimiento

- i** Un mantenimiento regular asegura que el sillón permanezca en perfecto estado. Para consultar el manual de mantenimiento, visite el sitio web de Vermeiren: www.vermeiren.com.

4.1 Puntos de mantenimiento

 **PRECAUCIÓN** Riesgo de lesiones y daños

Cualquier reparación o cambios sólo pueden llevarse a cabo por personal debidamente cualificado y sólo pueden utilizarse piezas de recambio Vermeiren originales.

- i** La última página de este manual contiene un formulario de registro para que el distribuidor especializado pueda registrar cada mantenimiento.

La frecuencia de los mantenimientos depende de la frecuencia e intensidad de uso. Póngase en contacto con su distribuidor para acordar un horario común para realizar inspecciones, mantenimientos y reparaciones.

Antes de cada uso

Inspeccionar los siguientes puntos:

- Todas las piezas: Presentes y sin daños o desgastes.
- Todas las piezas: Limpieza, véase § 4.2.1.
- Ruedas, respaldo, asiento: Bien asegurados.
- Funcionamiento de resortes de gas, los frenos, reposabrazos.
- Ruedas/neumáticos: Mantenerlos libres de cables, pelos, arena, fibras y otro tipo de residuos (aceite, barro).
- Estado de las piezas del bastidor: Sin deformaciones, inestabilidad, debilidad o conexiones sueltas
- Tapicería, cojín del asiento, almohadilla del soporte para pantorrillas: Sin desgastes excesivos (como abolladuras, daños o grietas).

Póngase en contacto con su distribuidor especializado para posibles reparaciones o cambio de piezas.

4.2 Instrucciones de mantenimiento

4.2.1 Limpieza

 **PRECAUCIÓN** Riesgo de daños

- No utilizar nunca una limpiadora de vapor para limpiar el sillón.

Limpiar todas las piezas rígidas del bastidor del sillón con un paño húmedo (no empapado). Si fuera necesario, utilizar un jabón suave que sea apto para limpiar superficies barnizadas y sintéticas.

La tapicería puede limpiarse con agua templada y jabón suave. No utilizar productos de limpieza abrasivos, ni un cepillo duro para limpiarla.

4.2.2 Desinfección

 **PRECAUCIÓN** Riesgo de daños

La desinfección sólo puede llevarla a cabo personal debidamente cualificado. Consulte con su distribuidor especializado al respecto.

4.3 Vida útil prevista

La vida útil media del sillón es de 5 años. La vida útil aumentará o disminuirá dependiendo de la frecuencia de uso y el mantenimiento.

ES

4.4 Reutilizar

Antes de reutilizar el sillón, desinfectarlo, inspeccionarlo y hacer que pase por un mantenimiento según las instrucciones en el §4.1 y el §4.2.

4.5 Fin de vida útil

Al final de la vida útil, deberá desechar el sillón siguiendo las leyes medioambientales de su localidad. Para transportar materiales reciclables del sillón de manera más cómoda, se recomienda que se desmonte primero.

5 Especificaciones técnicas

Los datos técnicos expuestos a continuación son sólo válidos para este sillón, con configuración estándar y en condiciones ambientales óptimas. Tener en cuenta estos datos durante la utilización del sillón para ducha. Los valores aquí expuestos dejarán de ser aplicables si el sillón ha sido modificada, se ha dañado, o sufre de un desgaste intenso.

Marca	Vermeiren
Tipo	Sillón
Modelo	Normandie
Peso máx. del usuario	130 kg

<i>Descripción</i>	<i>Dimensiones</i>	
	<i>Sin ruedas</i>	<i>Con ruedas</i>
Longitud total	860 mm	
Anchura total	685 mm	
Peso total	Aprox. 27,8 kg	Aprox. 29,15 kg
Peso de la parte más pesada	19,45 kg	19,2 kg
Peso de las partes que pueden desmontarse o quitarse	Asiento: 2,85 kg Respaldo: 5,45 kg	Asiento: 2,85 kg Respaldo: 7,1 kg
Ángulo plano del asiento	8°	
Profundidad del asiento	480 mm	
Anchura del asiento	500 mm	
Altura de la superficie del asiento desde el borde delantero	500 mm	520 mm
Ángulo del respaldo	13° - 45°	
Altura del respaldo	750 mm	
Distancia entre apoyabrazos y asiento	0 mm (solo para traslado por el lateral) 150 mm - 210 mm	
Altura total	1200 mm	1205 mm
Altura desmontada	490 mm	
Grosor del cojín	100 mm	
Ángulo entre el asiento y el reposapiernas	0° - 90°	
Temperatura de almacenamiento y uso	+ 5 °C - + 40 °C	
Humedad de almacenamiento y uso	30% - 70%	

Nos reservamos el derecho a introducir cambios técnicos. Tolerancia dimensional ± 15 mm / 1,5 kg / 1,5°.

Tabla 1: Especificaciones Técnicas Normandie

Marca	Vermeiren
Tipo	Sillón
Modelo	Languedoc
Peso máx. del usuario	130 kg

<i>Descripción</i>	<i>Dimensiones</i>	
	<i>Sin ruedas</i>	<i>Con ruedas</i>
Longitud total	860 mm	
Anchura total	685 mm	
Peso total	Aprox. 22,4 kg	Aprox. 23,75 kg
Peso de la parte más pesada	14,1 kg	13,8 kg
Peso de las partes que pueden desmontarse o quitarse	Asiento: 2,85 kg Respaldo: 5,45 kg	Asiento: 2,85 kg Respaldo: 7,1 kg
Ángulo plano del asiento	8°	
Profundidad del asiento	480 mm	
Anchura del asiento	500 mm	
Altura de la superficie del asiento desde el borde delantero	500 mm	520 mm
Ángulo del respaldo	13° - 45°	
Altura del respaldo	750 mm	
Distancia entre apoyabrazos y asiento	0 mm (solo para traslado por el lateral) 150 mm - 210 mm	
Altura total	1200 mm	1205 mm
Altura desmontada	490 mm	
Grosor del cojín	100 mm	
Temperatura de almacenamiento y uso	+ 5 °C - + 40 °C	
Humedad de almacenamiento y uso	30% - 70%	

Nos reservamos el derecho a introducir cambios técnicos. Tolerancia dimensional ± 15 mm / 1,5 kg / 1,5°.

Tabla 1: Especificaciones Técnicas Languedoc

Marca	Vermeiren
Tipo	Sillón
Modelo	Normandie 2F
Peso máx. del usuario	130 kg

<i>Descripción</i>	<i>Dimensiones</i>	
	<i>Sin ruedas</i>	<i>Con ruedas</i>
Longitud total	860 mm	
Anchura total	685 mm	
Peso total	Aprox. 30,4 kg	Aprox. 32,1 kg
Peso de la parte más pesada	21,6 kg	22,9 kg
Peso de las partes que pueden desmontarse o quitarse	Asiento: 2,85 kg Respaldo: 5,45 kg	Asiento: 2,85 kg Respaldo: 7,1 kg
Ángulo plano del asiento	8°	
Profundidad del asiento	480 mm	
Anchura del asiento	500 mm	
Altura de la superficie del asiento desde el borde delantero	500 mm	520 mm
Ángulo del respaldo	13° - 45°	
Altura del respaldo	750 mm	
Distancia entre apoyabrazos y asiento	0 mm (solo para traslado por el lateral) 150 mm - 210 mm	
Altura total	1200 mm	1205 mm
Altura desmontada	490 mm	
Grosor del cojín	100 mm	
Ángulo entre el asiento y el reposapiernas	0° - 90°	
Temperatura de almacenamiento y uso	+ 5 °C - + 40 °C	
Humedad de almacenamiento y uso	30% - 70%	

Nos reservamos el derecho a introducir cambios técnicos. Tolerancia dimensional ± 15 mm / 1,5 kg / 1,5°.

Tabla 1: Especificaciones Técnicas Normandie 2F

Spis treści

Spis treści	1
Wstęp	2
1 Niniejszy produkt	3
2 Przed użyciem	4
2.1 Przewidziane zastosowanie	4
2.2 Ogólne instrukcje bezpieczeństwa	4
2.3 Symbole na wózku.....	4
2.4 Montaż/Demontaż.....	5
2.5 Transport, składanie i przechowywanie	5
3 Użytkowanie wózka	6
3.1 Przesiadanie się na wózek/z wózka.....	6
3.2 Regulacje elementów mających wpływ na wygodę użytkowania	6
3.3 Koła jezdne / hamulce postojowe (tylko w modelu z kółkami).....	8
4 Konserwacja	9
4.1 Punkty poddawane konserwacji.....	9
4.2 Instrukcje konserwacji.....	9
4.3 Przewidywany okres użytkowania.....	9
4.4 Ponowne użycie	10
4.5 Koniec użytkowania	10
5 Dane techniczne	11

Wstęp

Dziękujemy za zaufanie firmie Vermeiren i jej produktom. Niniejsza instrukcja pomoże właścicielowi w eksploatacji fotel wypoczynkowy i korzystaniu z jego opcji. Prosimy o uważne przeczytanie instrukcji obsługi. Pozwoli ona na zapoznanie się z działaniem, możliwościami i ograniczeniami fotel.

PL

W razie pytań, na które odpowiedzi nie ma w instrukcji, prosimy o kontakt z Państwa wyspecjalizowanym sprzedawcą. Sprzedawca chętnie służy pomocą w tym zakresie.

Ważna uwaga

Aby zapewnić bezpieczeństwo i wydłużyć okres użytkowania produktu, prosimy o dbanie o niego oraz regularne dokonywanie przeglądów i serwisowanie.

Instrukcja obejmuje najnowsze rozwiązania zastosowane w produkcie. Firma Vermeiren ma prawo do wprowadzania zmian w produktach tego typu bez obowiązku adaptowania lub wymiany podobnych, poprzednio dostarczonych produktów.

Ilustracje stanowią dodatkowe objaśnienia do instrukcji w niniejszym podręczniku. Szczegóły przedstawionego produktu mogą się różnić od rzeczywistego produktu posiadanego przez użytkownika.

Dostępne informacje

W naszej witrynie internetowej <http://www.vermeiren.com/> zawsze znajduje się najnowsza wersja następujących informacji. Prosimy regularnie odwiedzać witrynę, ponieważ możemy w niej zamieszczać zaktualizowane informacje.

Osoby z zaburzeniami wzroku mogą pobrać elektroniczną wersję niniejszej instrukcji i odsłuchać ją przy użyciu oprogramowania zamieniającego tekst na mowę.



Instrukcja obsługi
Dla użytkownika i wyspecjalizowanego sprzedawcy



Instrukcja serwisowa
Dla wyspecjalizowanego sprzedawcy



Deklaracja zgodności WE

1 Niniejszy produkt



1. Rama podstawowa
2. Regulowane oparcie
3. Zdejmowane siedzisko
4. Podłokietniki z regulacją wysokości
5. Poduszka podłokietnika
6. Podnóżek
7. Dźwignia pochylecia (Normandie 2F: 2 dźwignie)
8. Koła transportowe
9. Koła (fakultatywny)
10. Drążek poprzeczny (fakultatywny)

PL



2 Przed użyciem

2.1 Przewidziane zastosowanie

i W niniejszej sekcji przedstawiono krótki opis przewidzianego zastosowania fotel wypoczynkowy. W pozostałych sekcjach instrukcje zostały opatrzone istotnymi ostrzeżeniami. W ten sposób chcemy zwrócić uwagę użytkowników na możliwość nieprawidłowej eksploatacji produktu.

- Fotelik jest przeznaczony do użytku przez osoby w podeszłym wieku, podczas rewalidacji lub przez pacjentów cierpiących na paraliż.
- Niniejszy fotel wypoczynkowy jest przeznaczony wyłącznie do użytku w pomieszczeniach, na płaskich i poziomych podłożach.
- Fotel jest zaprojektowany i produkowany wyłącznie jako miejsce do siedzenia i odpoczynku jednej (1) osoby ważącej maksymalnie 130 kg. Nie jest przeznaczony do transportu towarów, przedmiotów ani innego wykorzystania niż wcześniej opisane.
- Jeśli ma to zastosowanie, używać wyłącznie akcesoriów i części zapasowych zatwierdzonych przez Vermeiren.
- Należy się zapoznać z wszystkimi danymi technicznymi i ograniczeniami fotel, które są podane w §5.
- Gwarancja na produkt jest udzielona przy założeniu normalnego użytkowania i konserwacji, opisanych w niniejszej instrukcji. Uszkodzenie produktu spowodowane nieprawidłową eksploatacją lub brakiem konserwacji spowoduje unieważnienie gwarancji.

2.2 Ogólne instrukcje bezpieczeństwa

 **UWAGA** Ryzyko obrażeń i/lub uszkodzeń

Podczas eksploatacji należy pamiętać o ogólnych ostrzeżeniach:

- Niektóre części fotel mogą stać się bardzo gorące lub zimne ze względu na temperaturę otoczenia, promieniowanie słoneczne lub urządzenia grzewcze. Dotykając ich, należy zachować ostrożność. Gdy jest zimno, należy nosić odzież ochronną.
- Należy zachować ostrożność, używając przedmiotów łatwopalnych, takich jak papierosy, ponieważ mogą one spowodować zapalenie się siedziska i oparcia.
- Konstrukcji fotel pielęgnacyjnego nie wolno w żaden sposób modyfikować.

2.3 Symbole na wózku

Do wózka mają zastosowanie symbole z następującej listy. Symbole można znaleźć w odnośnych normach ISO (ISO 7000, ISO 7001 i IEC 417).



Maksymalna masa użytkownika w kg



Wyłącznie do użytku w pomieszczeniach



Oznaczenie typu

Fotel spełnia wymogi następujących norm:

EN 1021-1, EN1021-2: Odporność części pokrytych tapicerką na zapłon.

2.4 Montaż/Demontaż

Po dostarczeniu fotela, przed użyciem należy zamontować siedzisko i oparcie. Siedzisko i oparcie można również zdemontować w celu łatwego transportu.

2.4.1 Oparcie

1. Umieść rury oparcia na rurach ramy.
2. Wciśnij przycisk sprężynujący (1), aby zsunąć oparcie w dół.
3. Wciśnij oparcie całkowicie w dół, aż zostanie zamocowane na swoim miejscu.

Aby zdjąć oparcie, naciśnij przycisk sprężynujący pod tapicerką i pociągnij oparcie do góry, aż odłączy się od stelaża.

**PL**

2.4.2 Siedzisko

1. Umieść haki z tyłu siedziska na rurze ramy w pobliżu oparcia.
2. Dociśnij przednią część siedziska, aby zamocować je na swoim miejscu. Usłyszysz kliknięcie.

Aby zdjąć siedzisko, pociągnij przód siedziska, aż odłączy się od ramy.

2.5 Transport, składanie i przechowywanie

**UWAGA**

Ryzyko obrażeń i uszkodzeń

- Przejeżdżając wózkiem przez wąskie przejścia, należy zachować ostrożność.
- Należy się upewnić, że w przejściu nie ma żadnych przedmiotów, przeszkód ani ludzi.

2.5.1 Odstawianie na bok

1. Upewnij się, że koła są zablokowane (tylko w modelu z kółkami, patrz 3.3).
2. Przesuń pacjenta z fotela.
3. Zwolnij hamulce (tylko w modelu z kółkami).
4. Ustaw oparcie w pozycji pionowej.
5. Przesuń po poziomej podłodze fotel w docelowe miejsce
 - a) *Z kółkami:* Korzystając z kół przesuń fotel do docelowego miejsca
 - b) *Bez kół:* Poproś kogoś o pomoc i przenieś fotel w przynajmniej dwie osoby. Mocno chwycić ramę obiema rękami, podnieść z podłogi. Nie chwytaj fotel za podnóżki, podłokietnik, siedzenie ani koła.
6. Włączyć hamulce (tylko w modelu z kółkami).

2.5.2 Przechowywanie

UWAGA

Ryzyko uszkodzenia

Upewnij się, że wózek pielęgnacyjny jest przechowywany w stanie suchym, aby zapobiec pleśnieniu i uszkodzeniom tapicerki, patrz też dane techniczne w §5.

3 Użytkowanie wózka

 **OSTRZEŻENIE** Ryzyko obrażeń

- Najpierw przeczytać poprzednie rozdziały i zaznajomić się z przewidzianym zastosowaniem. NIE używać wózka, dopóki użytkownik nie przeczyta wszystkich instrukcji i ich nie zrozumie.
- W razie wątpliwości i pytań prosimy o kontakt z lokalnym wyspecjalizowanym sprzedawcą, opiekunem lub doradcą technicznym, który udzieli pomocy.

 **UWAGA** Ryzyko obrażeń i/lub uszkodzeń

- Zwracać uwagę, aby podczas montażu, eksploatacji i regulacji palce, ubrania, pasy, klamry ani biżuteria nie zostały pochwycone przez ruchome części.

3.1 Przesiadanie się na wózek/z wózka

 **UWAGA** Ryzyko obrażeń i uszkodzeń

- Jeśli pacjent nie może się bezpiecznie przesiąść, powinien poprosić o pomoc.
1. Upewnij się, że koła są zablokowane (tylko w modelu z kółkami).
 2. Ustaw fotel w najbardziej wyprostowanej pozycji siedzącej.
 3. Przenieść pacjenta na wózek/z wózka przy pomocy asystenta (asystentów) lub sprzętu do podnoszenia. Podczas przenoszenia ustaw podłokietnik na tej samej wysokości co poduszka (zobacz punkt 3.2.3).

3.1.1 Siedzenie na wózku

Plecy powinny znajdować się możliwie najbliżej oparcia.

3.2 Regulacje elementów mających wpływ na wygodę użytkowania

 **UWAGA** Ryzyko obrażeń i uszkodzeń

- Przed wykonaniem regulacji zawsze zacisnąć hamulce (tylko w modelu z kółkami).

3.2.1 Nachylenie oparcia Normandie/Languedoc

 **UWAGA** Ryzyko obrażeń i uszkodzeń

- Należy upewnić się, że fotel wypoczynkowy nie przewróci się do tyłu, gdy jest maksymalnie odchylony.
- Należy upewnić się, że w obszarze regulacji nie znajdują się żadne przedmioty ani osoby (patrz strefy przygwożdżenia).

Kąt nachylenia oparcia oraz podnóżka można ustawić za pomocą sprężyny gazowej.

Strefy uwięzienia elementów zewnętrznych zaznaczono na poniższym rysunku za pomocą symbolu (1).

Zmiana nachylenia fotela wypoczynkowego:

1. Zablokuj koła (tylko w modelu z kółkami, patrz 3.3).
2. Aby pochylić oparcie, pociągnij dźwignię (2) i pchnij oparcie do momentu osiągnięcia pożądanej pozycji. Puść dźwignię, aby zablokować oparcie we właściwej pozycji. W modelu Normandie oparcie i podnóżek pochylają się jednocześnie. (Nachylenie oparcia: 13° - 45°; nachylenie podnóżka: 0° - 90°)
3. Aby podnieść oparcie i pochylić podnóżek pociągnij dźwignię (2) i pozwól, aby oparcie i podnóżek powróciły do żądanej pozycji. Puść dźwignię, aby zablokować oparcie i podnóżek we właściwej pozycji.





Minimalne pochylenie



Maksymalne pochylenie

3.2.2 Nachylenie oparcia i podnóżka Normandie 2F



UWAGA

Ryzyko obrażeń i uszkodzeń

- Należy upewnić się, że fotel wypoczynkowego nie przewróci się do tyłu, gdy jest maksymalnie odchylony.
- Należy upewnić się, że w obszarze regulacji nie znajdują się żadne przedmioty ani osoby (patrz strefy przygwożdżenia).

Kąt nachylenia oparcia oraz podnóżka można ustawić oddzielnie za pomocą sprężyny gazowej.

Strefy uwięzienia elementów zewnętrznych zaznaczono na powyższym rysunku za pomocą symbolu (1).

Zmiana nachylenia fotela wypoczynkowego:

1. Zablokuj koła (tylko w modelu z kółkami, patrz 3.3).
2. Aby pochylić oparcie, pociągnij *górną* dźwignię (2) i pchnij oparcie do momentu osiągnięcia pożądanej pozycji. Puść dźwignię, aby zablokować oparcie we właściwej pozycji. (Nachylenie oparcia: 13° - 45°; nachylenie podnóżka: 0° - 90°)
3. Aby pochylić podnóżek, pociągnąć *dolną* dźwignię (3) i ustawić podnóżek w żądanej pozycji.
4. Aby podnieść oparcie i pochylić podnóżek pociągnij dźwignię (2 lub 3) i pozwól, aby oparcie i podnóżek powróciły do żądanej pozycji. Puść dźwignię, aby zablokować oparcie i podnóżek we właściwej pozycji.



3.2.3 Regulacja podłokietników

Istnieje możliwość regulacji wysokości podłokietników i obniżenia ich do poziomu ramy siedziska przy przenoszeniu pacjenta bokiem.

1. Pociągnij dźwignię podłokietników (3) do góry (w kierunku poduszka podłokietnika).
2. Spowoduje to zwolnienie sprężyny blokującej i umożliwi przesunięcie podłokietnika w gnieździe podłokietnika (4) do odpowiedniego ułożenia (zakres 114 mm, co 19 mm).

**UWAGA**

Ryzyko obrażeń

- Jeżeli sprężyna blokująca wyjdzie poza gniazdo podłokietnika (4), podłokietnik nie zostanie zablokowany. Ułożenie należy stosować jedynie przy przenoszeniu pacjenta bokiem.

Ułożenie do przenoszenia pacjenta bokiem:

Pociągnij dźwignię (3) i przesun podłokietnik do najniższej możliwej pozycji.

W ten sposób oparcie poduszka podłokietnika znajdzie się na tym samym poziomie, co poduszka siedziska.

3.3 Koła jezdne / hamulce postojowe (tylko w modelu z kółkami)

**UWAGA**

Ryzyko obrażeń i uszkodzeń

- Należy zablokować wszystkie cztery koła, aby ustawić fotel wypoczynkowy w pozycji parkowania.
- Przed zwolnieniem hamulca sprawdź, czy fotelik stoi na równym, poziomym podłożu. Nigdy nie należy zwalniać obu hamulców jednocześnie.

**5**

Włączanie hamulca postojowego

Naciśnij stopą szarą płytę hamulca kół, aż zablokuje się w odpowiedniej pozycji. Koła są teraz zablokowane.

6

Zwalnianie hamulca postojowego

Naciśnij stopą płytę hamulca kół w kierunku ramy. Koła zostają odblokowane i mogą się obracać oraz skręcać.

4 Konservacja

- i** Regularna konserwacja zapewnia utrzymanie pełnej sprawności fotel wypoczynkowy. Instrukcje dotyczące konserwacji znajdziesz na stronie internetowej firmy Vermeiren: www.vermeiren.pl.

4.1 Punkty poddawane konserwacji

 **UWAGA** Ryzyko obrażeń i uszkodzeń

Naprawa i wymiana części mogą być wykonywane tylko przez osoby przeszkolone. Należy używać wyłącznie oryginalnych części zamiennych Vermeiren.

- i** Na ostatniej stronie instrukcji znajduje się formularz dla wyspecjalizowanego sprzedawcy, służący do odnotowywania wszystkich czynności serwisowych. Częstotliwość serwisu zależy od częstotliwości i intensywności użytkowania. Skontaktować się ze sprzedawcą, aby uzgodnić harmonogram kontroli/konserwacji/napraw.

Przed każdym użyciem

Skontrolować następujące punkty:

- Wszystkie części: Czy są zamontowane, nie są uszkodzone ani zużyte.
- Wszystkie części: Zabrudzenie, patrz § 4.2.1.
- Koła, oparcie, siedzenie: Poprawność zamocowania.
- Działanie sprężyn gazowych, hamulców, podłokietniki.
- Koła/opony: muszą być wolne od zabrudzeń drutami, włosami, piaskiem, włóknami, olejem, błotem itp.
- Stan części ramy: Brak odkształceń, niestabilności, osłabień, poluzowanych połączeń
- Tapicerka, podglówka, poduszki siedziska, poduszki podpórki pod łydki: Brak nadmiernego zużycia (wgniecenia, uszkodzenia, rozdarcia).

Skontaktować się z wyspecjalizowanym sprzedawcą w kwestii ewentualnych napraw lub wymiany części.

4.2 Instrukcje konserwacji

4.2.1 Czyszczenie

 **UWAGA** Ryzyko uszkodzenia

- Nigdy nie czyścić wózka myjką parową.

Wszystkie twarde części ramy wózka wycierać wilgotną (ale nie ociekającą wodą) ściereczką. W razie konieczności używać łagodnego detergentu odpowiedniego do mycia powierzchni lakierowanych i z tworzyw sztucznych.

Tapicerkę można czyścić letnią wodą z łagodnym detergentem. Do czyszczenia nie używać ściernych środków czyszczących, ścierniej gąbki ani twardej szczotki.

4.2.2 Dezynfekcja

 **UWAGA** Ryzyko uszkodzenia

Dezynfekcję mogą wykonywać wyłącznie osoby odpowiednio przeszkolone. Zasięgnąć porady u wyspecjalizowanego sprzedawcy.

4.3 Przewidywany okres użytkowania

Przeciętna trwałość fotela wynosi 5 lat. Ten czas może być dłuższy lub krótszy, zależnie od częstotliwości korzystania i konserwacji fotela.

4.4 Ponowne użycie

Przed każdym ponownym użyciem fotela należy zdezynfekować, skontrolować i poddać konserwacji zgodnie z instrukcjami w §4.1 i §4.2.

4.5 Koniec użytkowania

PL

Po zakończeniu użytkowania należy poddać wózek utylizacji zgodnie z lokalnie obowiązującymi przepisami w zakresie ochrony środowiska. Najlepszym sposobem, aby to zrobić, jest demontaż wózka w celu ułatwienia transportu części nadających się do przetworzenia.

5 Dane techniczne

Parametry techniczne zamieszczone poniżej dotyczą tylko tego wózka, przy standardowych ustawieniach i optymalnych warunkach otoczenia. Podczas użytkowania należy uwzględnić te parametry. Wartości będą nieważne, jeśli wózek zostanie zmodyfikowany, uszkodzony lub w dużym stopniu zużyty.

Marka	Vermeiren
Typ	Fotel wypoczynkowy
Model	Normandie
Maksymalna waga użytkownika	130 kg

PL

<i>Opis</i>	<i>Wymiary</i>	
	<i>Bez kół</i>	<i>Z kołami</i>
Łączna długość	860 mm	
Łączna szerokość	685 mm	
Masa łączna	Okolo. 27,8 kg	Okolo. 29,15 kg
Masa najcięższej części	19,45 kg	19,2 kg
Masa części, które można zdemontować lub usunąć	Siedzisko: 2,85 kg Oparcie: 5,45 kg	Siedzisko: 2,85 kg Oparcie: 7,1 kg
Kąt nachylenia siedziska	8°	
Głębokość siedziska	480 mm	
Szerokość siedziska	500 mm	
Wysokość powierzchni siedziska przy przedniej krawędzi	500 mm	520 mm
Kąt nachylenia oparcia	13° - 45°	
Wysokość oparcia	750 mm	
Odległość między podłokietnikami a siedzeniem	0 mm (tylko w przypadku przenoszenia pacjenta bokiem) 150 mm - 210 mm	
Łączna wysokość	1200 mm	1205 mm
Wysokość ze zdemontowanym oparciem	490 mm	
Grubość poduszki siedziska	100 mm	
Kąt między siedziskiem a podnóżkiem	0° - 90°	
Temperatura przechowywania i użytkowania	+ 5 °C - + 40 °C	
Wilgotność przechowywania i użytkowania	30% - 70%	
Zastrzegamy sobie prawo do wprowadzania zmian technicznych. Tolerancja pomiarów +/- 15 mm / 1,5 kg / 1,5°.		

Tabela 1: Dane techniczne Normandie

Marka	Vermeiren
Typ	Fotel wypoczynkowy
Model	Languedoc
Maksymalna waga użytkownika	130 kg

PL

<i>Opis</i>	<i>Wymiary</i>	
	<i>Bez kół</i>	<i>Z kołami</i>
Łączna długość	860 mm	
Łączna szerokość	685 mm	
Masa łączna	Okolo. 22,4 kg	Okolo. 23,75 kg
Masa najcięższej części	14,1 kg	13,8 kg
Masa części, które można zdemontować lub usunąć	Siedzisko: 2,85 kg Oparcie: 5,45 kg	Siedzisko: 2,85 kg Oparcie: 7,1 kg
Kąt nachylenia siedziska	8°	
Głębokość siedziska	480 mm	
Szerokość siedziska	500 mm	
Wysokość powierzchni siedziska przy przedniej krawędzi	500 mm	520 mm
Kąt nachylenia oparcia	13° - 45°	
Wysokość oparcia	750 mm	
Odległość między podłokietnikami a siedzeniem	0 mm (tylko w przypadku przenoszenia pacjenta bokiem) 150 mm - 210 mm	
Łączna wysokość	1200 mm	1205 mm
Wysokość ze zdemontowanym oparciem	490 mm	
Grubość poduszki siedziska	100 mm	
Temperatura przechowywania i użytkowania	+ 5 °C - + 40 °C	
Wilgotność przechowywania i użytkowania	30% - 70%	
Zastrzegamy sobie prawo do wprowadzania zmian technicznych. Tolerancja pomiarów +/- 15 mm / 1,5 kg / 1,5°.		

Tabela 1: Dane techniczne Languedoc

Marka	Vermeiren
Typ	Fotel wypoczynkowy
Model	Normandie 2F
Maksymalna waga użytkownika	130 kg

<i>Opis</i>	<i>Wymiary</i>	
	<i>Bez kół</i>	<i>Z kołami</i>
Łączna długość	860 mm	
Łączna szerokość	685 mm	
Masa łączna	Okolo. 30,4 kg	Okolo. 32,1 kg
Masa najcięższej części	21,6 kg	22,9 kg
Masa części, które można zdemontować lub usunąć	Siedzisko: 2,85 kg Oparcie: 5,45 kg	Siedzisko: 2,85 kg Oparcie: 7,1 kg
Kąt nachylenia siedziska	8°	
Głębokość siedziska	480 mm	
Szerokość siedziska	500 mm	
Wysokość powierzchni siedziska przy przedniej krawędzi	500 mm	520 mm
Kąt nachylenia oparcia	13° - 45°	
Wysokość oparcia	750 mm	
Odległość między podłokietnikami a siedzeniem	0 mm (tylko w przypadku przenoszenia pacjenta bokiem) 150 mm - 210 mm	
Łączna wysokość	1200 mm	1205 mm
Wysokość ze zdemontowanym oparciem	490 mm	
Grubość poduszki siedziska	100 mm	
Kąt między siedziskiem a podnóżkiem	0° - 90°	
Temperatura przechowywania i użytkowania	+ 5 °C - + 40 °C	
Wilgotność przechowywania i użytkowania	30% - 70%	
Zastrzegamy sobie prawo do wprowadzania zmian technicznych. Tolerancja pomiarów +/- 15 mm / 1,5 kg / 1,5°.		

Tabela 1: Dane techniczne Normandie 2F

Obsah

Obsah	1
Úvod	2
1 Tento výrobek	3
2 Před použitím	4
2.1 Určené použití	4
2.2 Obecné bezpečnostní pokyny	4
2.3 Symboly na křesle	4
2.4 Montáž/demontáž	5
2.5 Přeprava a uložení	5
3 Použití tohoto křesla	6
3.1 Přesun na křeslo nebo z něj	6
3.2 Úpravy komfortu (závisí na verzi).....	6
3.3 Pojízdňá kolečka / Parkovací brzdy (pouze u modelu s kolečky).....	8
4 Údržba	9
4.1 Body údržby	9
4.2 Pokyny údržby	9
4.3 Očekávaná životnost.....	9
4.4 Znovupoužití výrobku	10
4.5 Konec používání	10
5 Technické údaje	11

Úvod

Děkujeme za Vaši důvěru ve výrobky společnosti Vermeiren. Tento návod slouží k tomu, aby vám pomáhal s použitím tohoto komfortního křesla a jeho provozních možností. Řádně si jej přečtěte; pomůže vám seznámit se s provozem, schopnostmi a omezeními tohoto zdravotnického křesla.

Máte-li po přečtení tohoto návodu nějaké dotazy, obraťte se bez obav na svého odborného prodejce. Rád vám v této věci pomůže.

CS

Důležitá poznámka

Aby byla zajištěna vaše bezpečnost a prodloužena životnost tohoto výrobku, věnujte mu řádnou péči a nechávejte jej pravidelně kontrolovat a opravovat.

V tomto návodu se odráží nejnovější vývoj výrobku. Společnost Vermeiren má právo provádět změny tohoto typu výrobku, aniž by byla povinna upravit nebo nahradit podobné výrobky, které již byly dodány.

Obrázky slouží k objasnění pokynů v tomto návodu. Detaily výrobku na obrázcích se mohou od daného výrobku lišit.

Dostupné informace

Nejnovější verzi následujících informací vždy naleznete na našich webových stránkách <http://www.vermeiren.com/>. Tyto webové stránky pravidelně navštěvujte pro případné aktualizace.

Osoby se zrakovým postižením si mohou stáhnout elektronickou verzi tohoto návodu, kterou jim může přečíst softwarová aplikace text-to-speech.



Tento návod k obsluze
Pro uživatele a odborného prodejce



Servisní příručka
Pro odborného prodejce



Prohlášení o shodě (ES)

1 Tento výrobek



1. Hlavní rám
2. Nastavitelná zádová opěrka
3. Odnímatelné sedadlo
4. Výškově nastavitelné područky
5. Polstrování područek
6. Nožní opěrka
7. Páčka pro náklon (Normandie 2F: 2 páky)
8. Transportní kolečka
9. Kola (volitelná)
10. Tlačná tyč (volitelná)
11. Identifikační štítek

CS



2 Před použitím

2.1 Určené použití

i V tomto odstavci je uveden stručný popis zamýšleného použití tohoto komfortního křesla. Dále jsou k pokynům v dalších odstavcích přidána příslušná upozornění. Tímto způsobem chceme upozornit na případné chybné použití, k němuž může dojít.

- Komfortní křeslo je určeno pro použití staršími cestujícími, během revalidace nebo u pacientů trpících ochrnutím.
- Toto křeslo je vhodné pouze pro použití v interiéru na rovném a vodorovném povrchu.
- Toto křeslo je konstruováno a vyrobeno výhradně jako sedací a odpočinkové místo pro (1) osobu o maximální hmotnosti 130 kg. Není určeno pro přepravu zboží či předmětů ani pro jakýkoli jiný účel, než je popsán výše.
- V případě potřeby používejte pouze příslušenství a náhradní díly schválené společností Vermeiren.
- Přečtěte si všechny technické detaily a omezení tohoto křesla v odst. 5.
- Záruka tohoto výrobku je založena na běžném použití a údržbě, jak je to popsáno v tomto návodu. V případě poškození výrobku způsobeného nesprávným použitím či absencí údržby tato záruka zanikne.

2.2 Obecné bezpečnostní pokyny

 **POZOR** Riziko zranění anebo poškození

Při použití mějte na paměti následující obecná upozornění:

- Mějte na paměti, že určité části tohoto křesla mohou být velmi teplé nebo studené vlivem okolní teploty, slunečního záření či topných těles. Při dotýkání buďte opatrní. Při chladném počasí používejte ochranný oděv.
- Budte opatrní při používání možných příčin požáru, jako jsou cigarety, protože mohou zapálit sedák a potah zádové opěrky.
- Toto zdravotnické křeslo žádným způsobem neupravujte.

2.3 Symboly na křesle

Tohoto zdravotnického křesla se týkají symboly v následujícím seznamu. Symboly lze vyhledat v příslušné normě ISO (ISO 7000, ISO 7001 a IEC 417).



Max. hmotnost uživatele v kg



Pouze pro použití v interiéru



Typové označení

Zdravotnické křeslo splňuje požadavky stanovené v:
EN 1021-1, EN1021-2: Odolnost čalouněných dílů proti vznícení

2.4 Montáž/demontáž

Při dodání komfortního křesla je třeba před použitím namontovat sedák a opěradlo. Sedák a opěradlo lze také odejmout pro snadnou přepravu.

2.4.1 Zádová opěrka

1. Umístěte trubky zádové opěrky na trubky rámu.
2. Stisknutím pružinového tlačítka (1) posuňte zádovou opěrku dolů.
3. Zatlačte zádovou opěrku až dolů, dokud nebude zajištěna na svém místě.

Chcete-li zádovou opěrku sejmout, stiskněte pružinové tlačítko pod čalouněním a táhněte opěrku nahoru, dokud se neoddělí od rámu.



CS

2.4.2 Sedadlo

1. Umístěte háčky na zadní straně sedadla nad rámovou trubku v blízkosti opěradla.
2. Zatlačte na přední stranu sedadla, abyste jej upevnili na místě. Uslyšíte cvaknutí.

Chcete-li sedadlo vyjmout, táhněte za přední část sedačky, dokud se neoddělí od rámu.

2.5 Přeprava a uložení

 **POZOR** Riziko zranění a poškození

- Věnujte pozornost při průjezdu křeslem úzkými průchody.
- Ověřte, že v průchodu nejsou předměty, překážky a osoby.

2.5.1 Pohyb stranou

1. Zkontrolujte, že je komfortní křeslo zabrzděné (pouze u modelu s kolečky viz odst. 5).
2. Přesuňte pacienta z křesla.
3. Uvolněte brzdy (pouze u modelu s kolečky).
4. Pomocí pák pro nastavení dejte opěrku do maximální přední polohy (minimální naklonění).
5. Přepravte křeslo na požadované místo po vodorovném povrchu.
 - a) *S koly: Posuňte křeslo pomocí kol a otočte ho na místo určení.*
 - b) *Bez kol: Požádejte o pomoc se zvednutím křesla další osobu.* Pevně uchopte rám a sedadlo a zvedněte křeslo z podlahy. K uchopení křesla nepoužívejte opěrku nohou ani kola, opěradlo, sedadlo.
6. Zapojit brzdy (pouze u modelu s kolečky).

2.5.2 Skladování

 **POZOR** Riziko poškození

Zajistěte uložení tohoto komfortního křesla v suchu, aby nedošlo k růstu plísní a k poškození čalounění, viz také technické detaily viz odst. 5.

3 Použití tohoto křesla

**VAROVÁNÍ**

Riziko zranění

- Nejprve si přečtěte předchozí kapitoly a seznámte se se zamýšleným použitím. Zdravotnické křeslo NIKDY nepoužívejte, dokud si nepřečtete a plně neporozumíte všem pokynům.
- V případě pochybností či dotazů bez obav požádejte svého místního odborného prodejce, poskytovatele péče nebo technického poradce o pomoc v dané věci.

**POZOR**

Riziko zranění anebo poškození

- Zajistěte, aby při montáži, použití nebo seřizování nedošlo k zachycení prstů, oděvů, pásků, přezek či šperků v pohyblivých částech.

3.1 Přesun na křeslo nebo z něj

**POZOR**

Riziko zranění či poškození

- V případě, že nemůžete přesun provést bezpečně, požádejte někoho o asistenci.
1. Ověřte, že je zdravotnické křeslo v sedací poloze (pouze u modelu s kolečky viz odst. 3.3).
 2. Postavte židli do svislé polohy k sezení.
 3. Přesuňte pacienta na/z křeslo. Pro přesun z boku snižte područku na úroveň sedadla (viz kapitola 3.2.3).

3.1.1 Sezení v křesle

Záda dejte co nejbližší k zádové opěrce.

3.2 Úpravy komfortu (závisí na verzi)

**POZOR**

Riziko zranění či poškození

- Před úpravami aktivujte brzdy (pouze u modelu s kolečky viz odst. 3.3).

3.2.1 Polohování zádové opěrky Normandie/Languedoc

**POZOR**

Riziko zranění či poškození

- Při polohování křesla do maximální zadní polohy se ujistěte, že se komfortní křeslo nemůže překloupit dozadu.
- Ujistěte se, že v se oblasti nastavení nenachází žádné osoby či předměty (viz zóny zachycení).

Úhel zádové opěrky a nožní opěrky lze nastavit pomocí plynové vzpěry.

Zóny zachycení jsou označené na obrázku níže symbolem (1).

Naklonění komfortního křesla:

1. Zabrzděte křeslo (pouze u modelu s kolečky, viz odst. 3.3).
2. Chcete-li naklonit opěradlo, zatáhněte za páčku (2) a zatlačte na opěradlo, dokud nedosáhnete požadované polohy. Povolte páčku, abyste zablokovali opěradlo do správné polohy. U modelu Normandie se opěradlo a opěrka nohou sklápějí současně. (Naklonění zádové opěrky: 13° - 45°; naklonění nožní opěrky: 0° - 90°)
3. Chcete-li snížit sklon opěradla a opěrky nohou, zatáhněte za páčku (2) a nechte opěradlo a nožní opěrku vrátit do požadované polohy. Povolte páčku, abyste upevnili opěradlo a nožní opěrku ve správné poloze.





Minimální naklonění



Maximální naklonění

3.2.2 Polohování zádové opěradla a opěrky nohou Normandie 2F



POZOR

Riziko zranění či poškození

- Při polohování křesla do maximální zadní polohy se ujistěte, že se komfortní křeslo nemůže překloupit dozadu.
- Ujistěte se, že v se oblasti nastavení nenachází žádné osoby či předměty (viz zóny zachycení).

Úhel zádové opěrky a opěrky nohou lze nastavit pomocí plynové vzpěry samostatně.

Zóny zachycení jsou označené na obrázku výše symbolem (1).

Naklonění komfortního křesla:

1. Zabrzděte křeslo (pouze u modelu s kolečky, viz odst. 3.3).
2. Chcete-li naklonit opěradlo, zatáhněte za horní páčku (2) a zatlačte na opěradlo, dokud nedosáhnete požadované polohy. Povolte páčku, abyste zablokovali opěradlo do správné polohy. U modelu Normandie se opěradlo a opěrka nohou sklápějí současně. (Naklonění zádové opěrky: 13° - 45°; naklonění nožní opěrky: 0° - 90°)
3. Chcete-li opěrku nohou naklonit, zatáhněte za spodní páčku (3) a umístěte opěrku nohou do požadované polohy.
4. Chcete-li snížit sklon opěradla a opěrky nohou, zatáhněte za páčku (2 nebo 3) a nechte opěradlo a nožní opěrku vrátit do požadované polohy. Povolte páčku, abyste upevnili opěradlo a nožní opěrku ve správné poloze.



3.2.3 Nastavení područek

Područky lze výškově nastavit a je možné je snížit až na úroveň rámu sedadla pro přesun pacienta z boku.

1. Zvedněte páčku područek (3) nahoru (směrem k horizontální područce).
2. Dojde k uvolnění zámku a područku bude možné posunout v rámci pouzdra područky (4) do požadované polohy (rozsah 114 mm, krok 19 mm).



POZOR

Riziko zranění

- Pokud se zámek nachází mimo pouzdro područky (4), područka není uzamknuta. Tuto polohu používejte pouze při přesunu pacienta z boku.

Poloha pro přesun pacienta z boku:

Zatáhněte za páčku(1) a zasuňte područku dolů do nejnižší možné polohy. Nyní se područka nachází ve stejné výšce jako sedadlo.

3.3 Pojízdňá kolečka / Parkovací brzdy (pouze u modelu s kolečky)



POZOR

Riziko zranění či poškození

- Pro uvedení křesla do parkovací polohy uzamkněte všechna čtyři kolečka.
- před uvolněním brzd se ujistěte, že se komfortní křeslo nachází na vodorovném povrchu. Brzdy nikdy neuvolňujte současně.



5

Zabrzdění parkovacích brzd

Nohou sešlápněte šedou destičku brzdy směrem dolů, dokud nezaklapne. Kolečka se nemohou hýbat.

6

Odbrzdění parkovacích brzd

Nohou zatlačte na destičku brzdy směrem k rámu. Kolečka jsou nyní uvolněná a mohou se otáčet.

4 Údržba

- i** Pravidelná péče zajistí, že bude komfortní křeslo udržováno v dokonale funkčním stavu. Viz webových stránkách společnosti Vermeiren: www.vermeiren.com.

4.1 Body údržby

 **POZOR** Riziko zranění a poškození

Opravy a výměny smějí provádět pouze vyškolené osoby. Přitom je třeba používat pouze originální náhradní díly společnosti Vermeiren.

- i** Poslední stránka tohoto návodu obsahuje registrační formulář pro odborného prodejce, který zapíše každý servis.

Servisní intervaly závisejí na intenzitě a frekvenci používání. Požádejte svého prodejce o společnou dohodu na rozvrhu kontrol/údržby/oprav.

Před každým použitím

Zkontrolujte tyto body:

- Všechny části: Přítomné a nepoškozené či opotřebené.
- Všechny části: Čisté, viz odst. 4.2.1.
- Kola/kolečka, opěradlo, sedadlo: Dobré zajištění.
- Funkce plynové pružiny brzdy, područky.
- Kola/kolečka/pneumatiky; udržujte je bez drátů, vlasů, písku, vláken a jiných nečistot (olej, bláto).
- Stav součástí rámu: Žádná deformace, nestabilita, zeslabení nebo uvolněné spoje
- Čalounění zdravotnického křesla, čalounění sedadla, čalounění lýtkové opěrky: Bez nadměrného opotřebenění (např. promáčknutá místa, poškození nebo roztržení).

Pro případné opravy či výměny částí se obraťte na svého odborného prodejce.

4.2 Pokyny údržby

4.2.1 Čištění

POZOR Riziko poškození

- K čištění křesla nikdy nepoužívejte parní čistič.

Otřete všechny pevné části rámu křesla vlhkým (nikoli mokrým) hadříkem. V případě potřeby použijte jemné mýdlo vhodné na laky a syntetické barvy.

Čalounění lze vyčistit vlažnou vodou a jemným mýdlem. K čištění nepoužívejte abrazivní čisticí prostředky či houbičku ani tvrdý kartáč.

4.2.2 Dezinfekce

POZOR Riziko poškození

Dezinfekci smějí provádět pouze vyškolené osoby. Poradte se s odborným prodejcem.

4.3 Očekávaná životnost

Průměrná životnost pohodlného křesla je 5 let. V závislosti na četnosti použití, jízdních podmínkách a údržbě se životnost komfortního křesla prodlouží nebo zkrátí.

4.4 Znovupoužití výrobku

Před každým dalším použitím nechte komfortní křeslo dezinfikovat, zkontrolovat a provést servis podle pokynů v odst. 4.1 a odst.4.2.

4.5 Konec používání

Po skončení životnosti musí být křeslo zlikvidováno podle místní legislativy pro životní prostředí. Nejlepším způsobem likvidace je rozebrání křesla pro usnadnění přepravy recyklovatelných součástí.

5 Technické údaje

Technické údaje uvedené níže platí pouze pro tento křesla při standardních nastaveních a optimálních podmínkách okolí. Během používání berte tyto údaje v úvahu. Pokud byl tento křesla upraven, poškozen nebo došlo k jeho velkému opotřebení, nebudou tyto hodnoty platné.

Značka	Vermeiren
Typ	Komfortní křeslo
Model	Normandie
Max. váha uživatele	130 kg

CS

<i>Popis</i>	<i>Rozměry</i>	
	<i>Bez kol</i>	<i>S koly</i>
Celková délka	860 mm	
Celková šířka	685 mm	
Celková hmotnost	Cca 27,8 kg	Cca 29,15 kg
Hmotnost nejtěžší části	19,45 kg	19,2 kg
Hmotnosti částí, které lze demontovat či odebrat	Sedadlo: 2,85 kg Opěradlo: 5,45 kg	Sedadlo: 2,85 kg Opěradlo: 7,1 kg
Úhel sedadla	8°	
Hloubka sedadla	480 mm	
Šířka sedadla	500 mm	
Výška plochy sedadla u předního okraje	500 mm	520 mm
Úhel opěradla	13° - 45°	
Výška opěradla	750 mm	
Vzdálenost loketní opěrky a sedadla	0 mm (pouze u bočního transportu) 150 mm - 210 mm	
Celková výška	1200 mm	1205 mm
Výška při demontáži	490 mm	
Výška sedáku	100 mm	
Úhel mezi sedadlem a nožní opěrkou	0° - 90°	
Teplota skladování a používání	+ 5 °C - + 40°	
Vlhkost skladování a používání	30% - 70%	
Vyhrazujeme si právo na zavádění technických změn. Tolerance měření ± 15 mm / 1,5 kg / 1,5°.		

Tabulka 1: Technické údaje Normandie

Značka	Vermeiren
Typ	Komfortní křeslo
Model	Languedoc
Max. váha uživatele	130 kg

<i>Popis</i>	<i>Rozměry</i>	
	<i>Bez kol</i>	<i>S koly</i>
Celková délka	860 mm	
Celková šířka	685 mm	
Celková hmotnost	Cca 22,4 kg	Cca 23,75 kg
Hmotnost nejtěžší části	14,1 kg	13,8 kg
Hmotnosti částí, které lze demontovat či odebrat	Sedadlo: 2,85 kg Opěradlo: 5,45 kg	Sedadlo: 2,85 kg Opěradlo: 7,1 kg
Úhel sedadla	8°	
Hloubka sedadla	480 mm	
Šířka sedadla	500 mm	
Výška plochy sedadla u předního okraje	500 mm	520 mm
Úhel opěradla	13° - 45°	
Výška opěradla	750 mm	
Vzdálenost loketní opěrky a sedadla	0 mm (pouze u bočního transportu) 150 mm - 210 mm	
Celková výška	1200 mm	1205 mm
Výška při demontáži	490 mm	
Výška sedáku	100 mm	
Teplota skladování a používání	+ 5 °C - + 40°	
Vlhkost skladování a používání	30% - 70%	
Vyhrazujeme si právo na zavádění technických změn. Tolerance měření ± 15 mm / 1,5 kg / 1,5°.		

Tabulka 2: Technické údaje Languedoc

Značka	Vermeiren
Typ	Komfortní křeslo
Model	Normandie 2F
Max. váha uživatele	130 kg

<i>Popis</i>	<i>Rozměry</i>	
	<i>Bez kol</i>	<i>S koly</i>
Celková délka	860 mm	
Celková šířka	685 mm	
Celková hmotnost	Cca 30,4 kg	Cca 32,1 kg
Hmotnost nejtěžší části	21,6 kg	22,9 kg
Hmotnosti částí, které lze demontovat či odebrat	Sedadlo: 2,85 kg Opěradlo: 5,45 kg	Sedadlo: 2,85 kg Opěradlo: 7,1 kg
Úhel sedadla	8°	
Hloubka sedadla	480 mm	
Šířka sedadla	500 mm	
Výška plochy sedadla u předního okraje	500 mm	520 mm
Úhel opěradla	13° - 45°	
Výška opěradla	750 mm	
Vzdálenost loketní opěrky a sedadla	0 mm (pouze u bočního transportu) 150 mm - 210 mm	
Celková výška	1200 mm	1205 mm
Výška při demontáži	490 mm	
Výška sedáku	100 mm	
Úhel mezi sedadlem a nožní opěrkou	0° - 90°	
Teplota skladování a používání	+ 5 °C - + 40°	
Vlhkost skladování a používání	30% - 70%	
Vyhrazujeme si právo na zavádění technických změn. Tolerance měření ± 15 mm / 1,5 kg / 1,5°.		

Tabulka 1: Technické údaje Normandie 2F



Service registration form

This product (name):

was inspected (I), serviced (S), repaired (R) or disinfected (D):

By (stamp): Kind of work: I / S / R / D Date:	By (stamp): Kind of work: I / S / R / D Date:	By (stamp): Kind of work: I / S / R / D Date:
By (stamp): Kind of work: I / S / R / D Date:	By (stamp): Kind of work: I / S / R / D Date:	By (stamp): Kind of work: I / S / R / D Date:
By (stamp): Kind of work: I / S / R / D Date:	By (stamp): Kind of work: I / S / R / D Date:	By (stamp): Kind of work: I / S / R / D Date:
By (stamp): Kind of work: I / S / R / D Date:	By (stamp): Kind of work: I / S / R / D Date:	By (stamp): Kind of work: I / S / R / D Date:
By (stamp): Kind of work: I / S / R / D Date:	By (stamp): Kind of work: I / S / R / D Date:	By (stamp): Kind of work: I / S / R / D Date:



Vermeiren GROUP
Vermeirenplein 1 / 15
2920 Kalmthout
BE

website: www.vermeiren.com