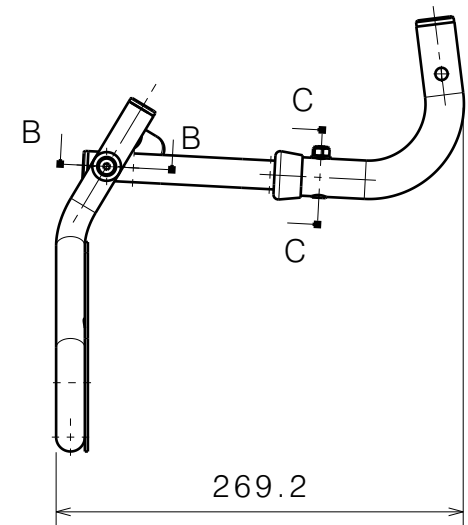
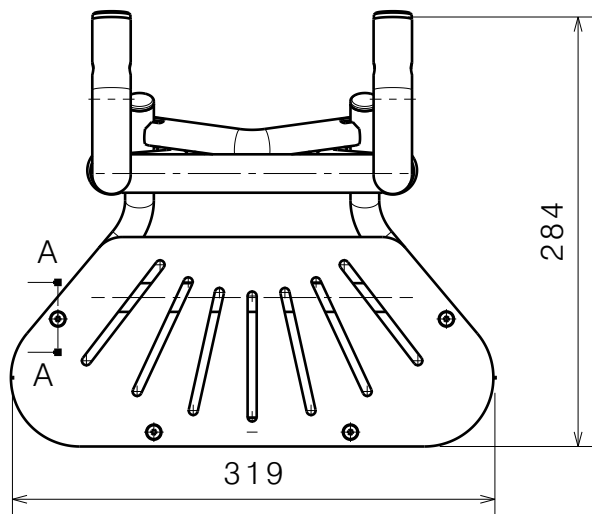
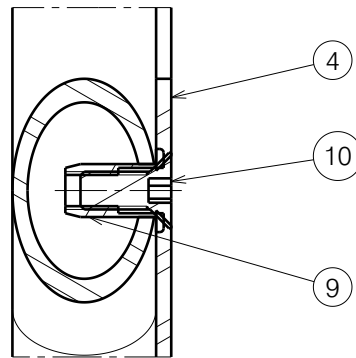


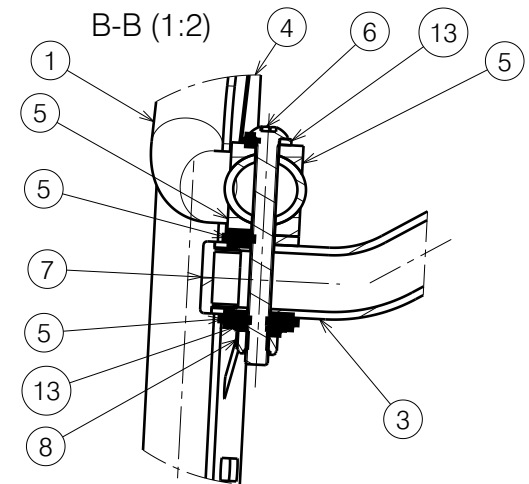
No.	Plan	Article	Qty
1	P00057019	2675765	1
2	P00057017	2675665	1
3	P00056063	2678265	2
4	P00056241	2675565	1
5	X000586	1005742	8
6	M6X60 ISO7380	1916196	2
7	Cap D19	1001602	4
8	Nut M6 DIN985	2994063	4
9	Tubtara M5	1001549	4
10	M5X12 DIN7991	2994076	4
11	X002137	1992415	2
12	M6X30 DIN7984	1915416	2
13	Washer M6 DIN125A	2994414	6



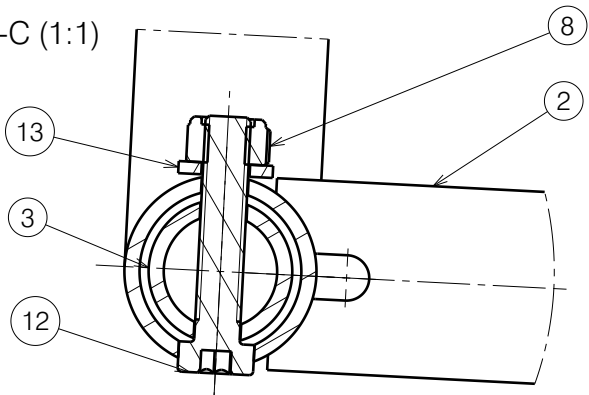
A-A (1:1)



B-B (1:2)



C-C (1:1)



NOTICE: THE INFORMATION CONTAINED ON THIS DRAWING IS PROPRIETARY TO VERMEIREN GROUP AND SHALL NOT BE DISCLOSED IN WHOLE OR IN PART, OR USED FOR ANY DESIGN OR MANUFACTURE, EXCEPT WHEN SUCH USER POSSESSES DIRECT WRITTEN AUTHORISATION FROM VERMEIREN GROUP.

Sheet 1/2

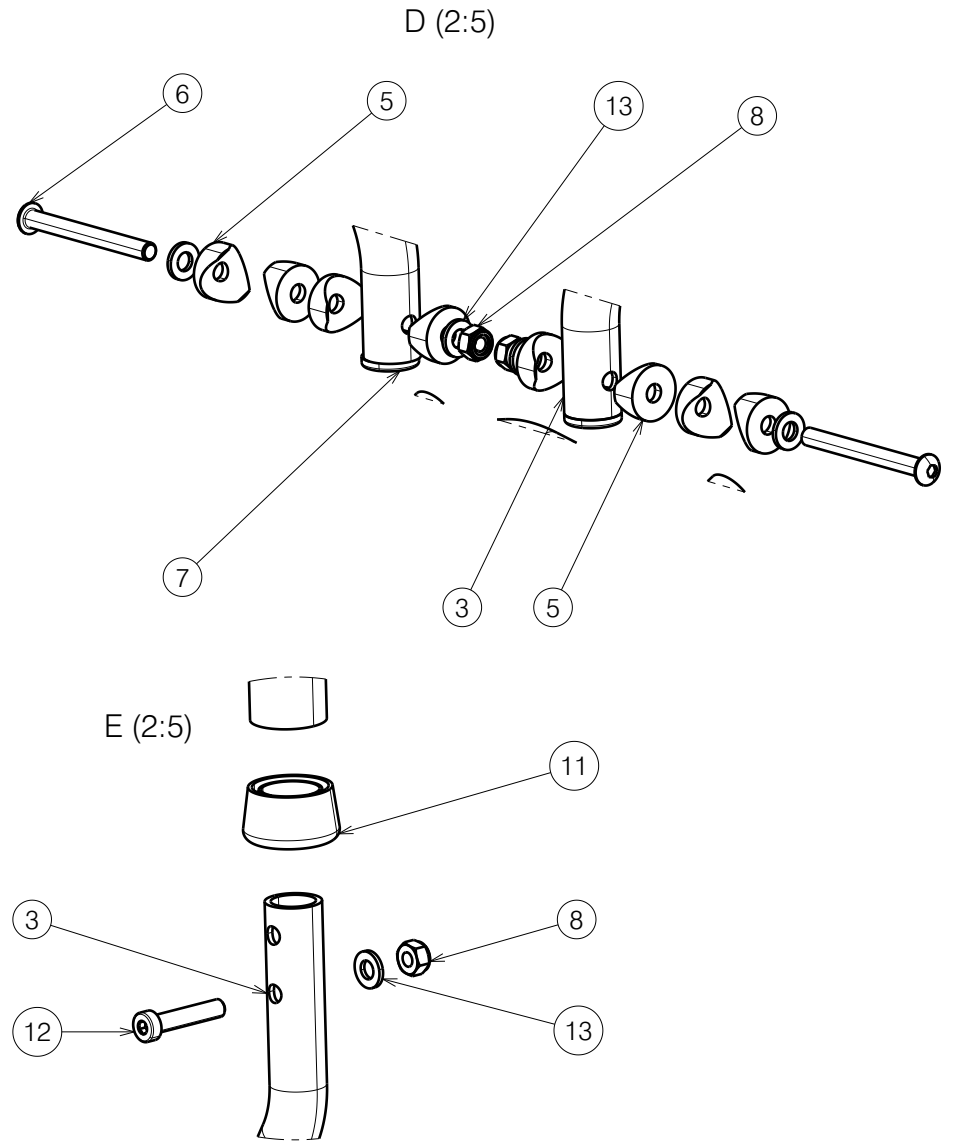
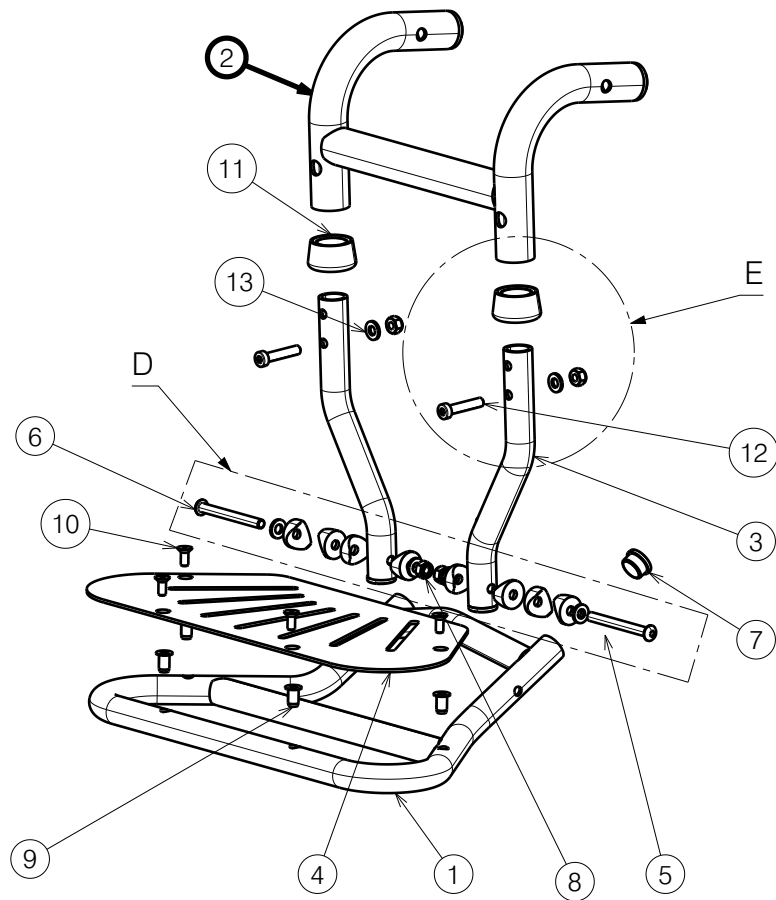
PLEGO FOOTREST

Plan No.

E00056068/F.1

Scale: 1:5	Drafted	Verified	Confirmed
Date	18/04/2023	26/02/2026	26/02/2026
Initials	BK	DR	AS





NOTICE: THE INFORMATION CONTAINED ON THIS DRAWING IS PROPRIETARY TO VERMEIREN GROUP AND SHALL NOT BE DISCLOSED IN WHOLE OR IN PART, OR USED FOR ANY DESIGN OR MANUFACTURE, EXCEPT WHEN SUCH USER POSSESSES DIRECT WRITTEN AUTHORISATION FROM VERMEIREN GROUP.

Sheet 2/2

PLEGO FOOTREST

Plan No.

E00056068/F.1

Scale: 1:5	Drafted	Verified	Confirmed
Date	18/04/2023	26/02/2026	26/02/2026
Initials	BK	DR	AS

