

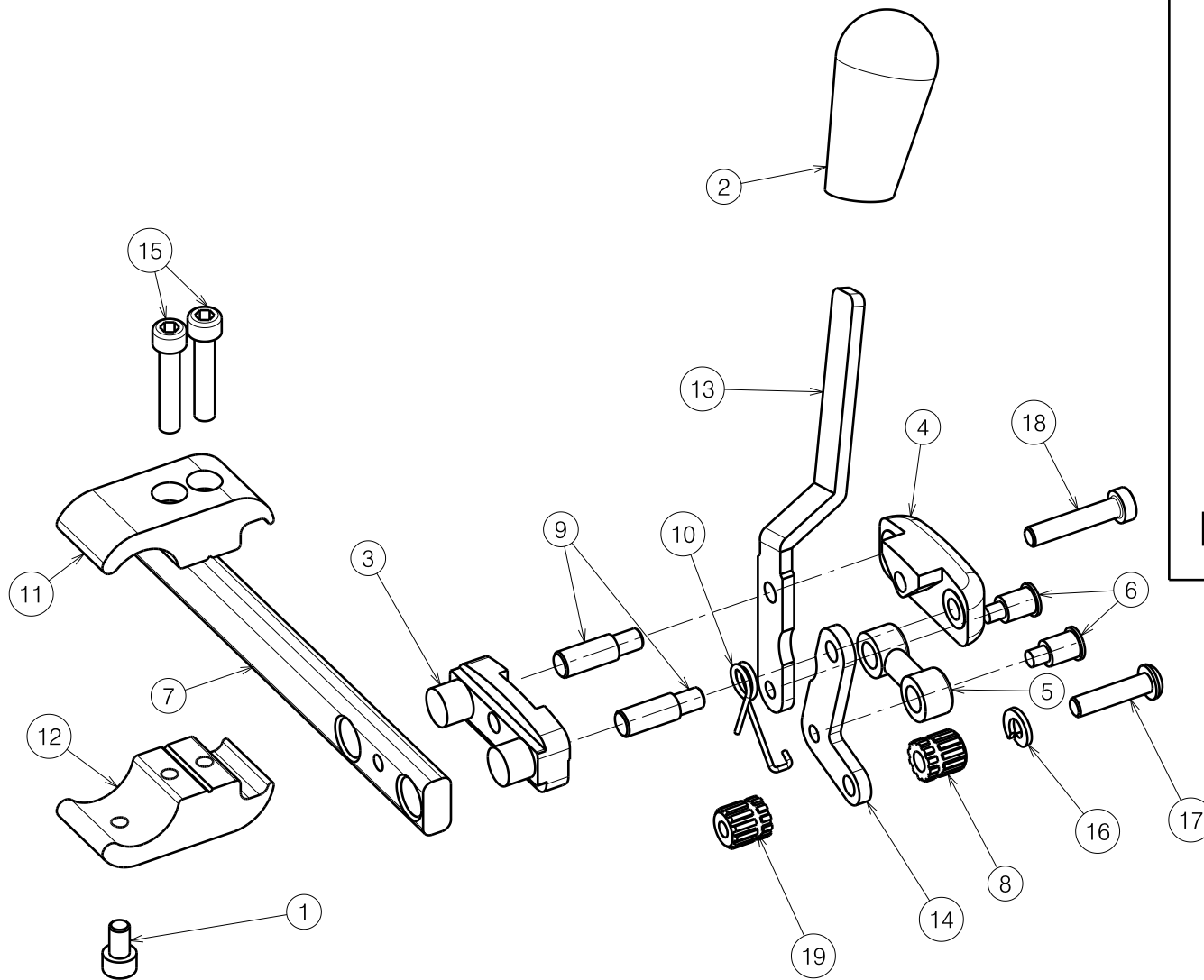
Material			
No.	Plan	Article	Quantity
1	X002112	1001491	1
2	X002134	1992411	1
3	X002139	1992426	1
4	X002140	1992427	1
5	X002141	1992435	1
6	X002165	1488300	2
7	X004801	1746082	1
8	X005417	20080	1
9	X005276	1793900	2
10	X005305	1910032	1
11	XC00002	1C09782	1
12	XC00010	1C09882	1
13	Y016713	1735454	1
14	Y020193	1794054	1
15	M6x30 DIN912	1001495	2
16	M6 DIN127	1004414	1
17	M6x25 ISO7380	1006998	1
18	M6x30 DIN6912	3991967	1
19	X005418	20081	1

Sheet 1/2

1910127

E000919 / E

BRAKE T30 V-SERIES 2014 Left side				Plan No.
				E000919 / E
Scale: 1:2	Drafted	Verified	Confirmed	
Date	27/01/2014	04/05/2016	04/05/2016	
Initials	SD	SD	PJ	



Material			
No.	Plan	Article	Quantity
1	X002112	1001491	1
2	X002134	1992411	1
3	X002139	1992426	1
4	X002140	1992427	1
5	X002141	1992435	1
6	X002165	1488300	2
7	X004801	1746082	1
8	X005417	20080	1
9	X005276	1793900	2
10	X005306	1910033	1
11	XC00002	1C09782	1
12	XC00010	1C09882	1
13	Y016715	1735554	1
14	Y020193	1794054	1
15	M6x30 DIN912	1001495	2
16	M6 DIN127	1004414	1
17	M6x25 ISO7380	1006998	1
18	M6x30 DIN6912	3991967	1
19	X005418	20081	1

Sheet 2/2

1910128

E000919 / E

BRAKE T30 V-SERIES 2014 Right side				Plan No.
				E000919 / E
Scale: 1:2	Drafted	Verified	Confirmed	
Date	27/01/2014	04/05/2016	04/05/2016	
Initials	SD	SD	PJ	