
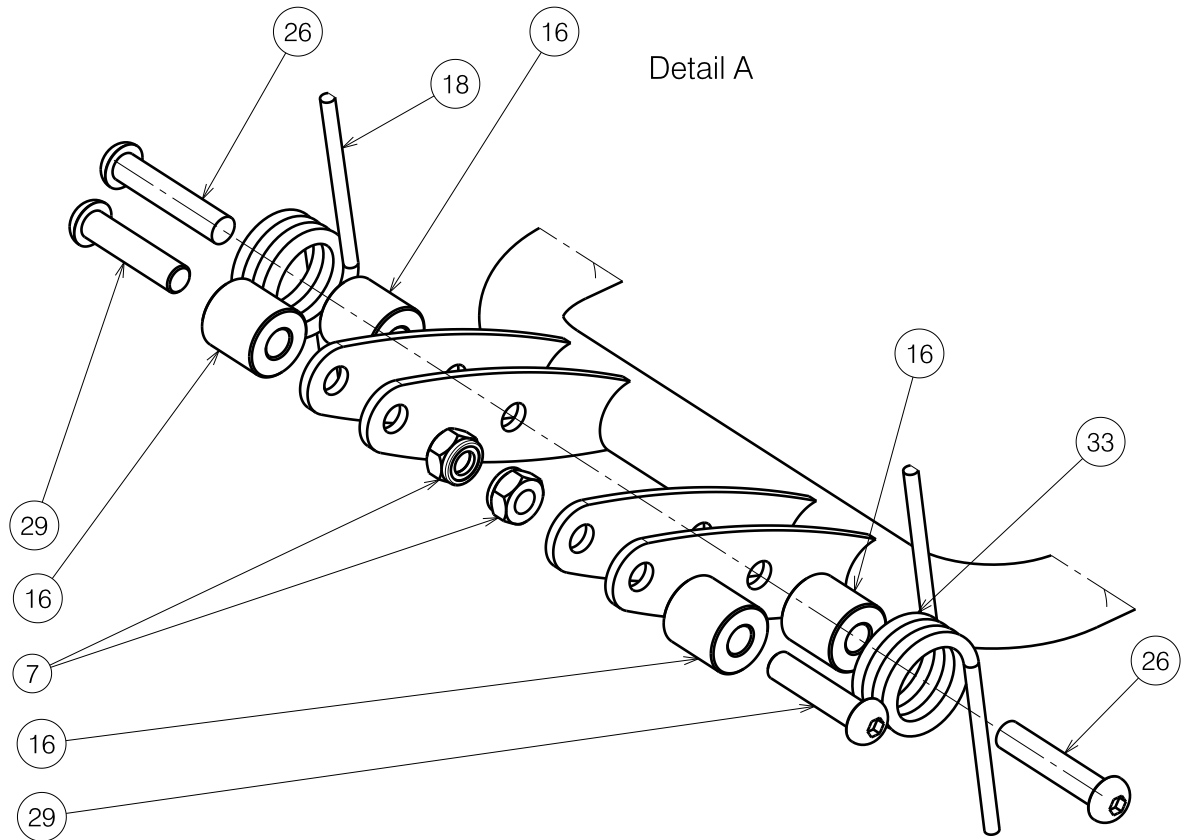


1904216

<h2 style="margin: 0;">B10 TYPE ALTITUDE 2009 FIXED</h2>				Plan Number
				E000555/E
Scale: 1:5	Drafted	Verified	Confirmed	
Date	18/05/2009	23/05/2012	23/05/2012	
Initials	SD	SV	PJ	

Material			
No.	Plan	Article	Quantity
1	X004730	1735800	1
2	Y012126	1677700	1
3	Y012876	1715182	2
4	Y012953	1678182	1
5	Y013065	1678300	1
6	Y014459	1715300	1
7	X001016	1001682	7
8	X003478	1998374	1
9	X003492	1900607	2
10	X003793	1900442	2
11	X003878	1677500	1
12	X003903	1901170	1
13	X003913	1901654	1
14	X003915	1683782	1
15	X004002	1677600	1
16	X004034	1683600	4
17	XP00106	2990072	2
18	XP00144	1894000	1
19	XP00167	HP00052	1
20	---	1001564	2
21	---	1003067	2
22	---	1003199	5
23	---	1005860	1
24	---	1006998	2
25	---	1007517	3
26	---	1008739	2
27	---	1005767	4
28	---	1992835	8
29	---	1993236	2
30	---	1004414	4
31	---	1008459	4
32	---	1001604	2
33	XP00567	1894100	1
34	---	1992791	1



B10 TYPE ALTITUDE 2009 FIXED				Plan Number
				E000555/E
Scale: 1:5	Drafted	Verified	Confirmed	
Date	18/05/2009	23/05/2012	23/05/2012	
Initials	SD	SV	PJ	