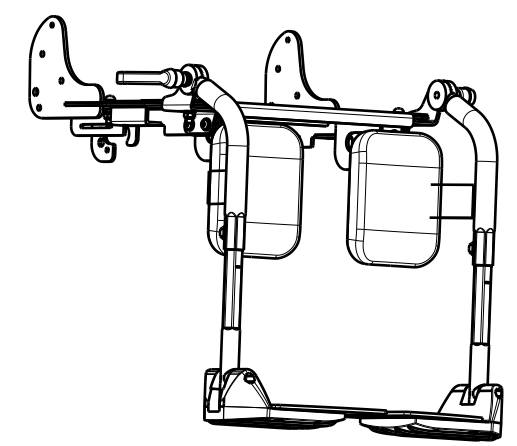

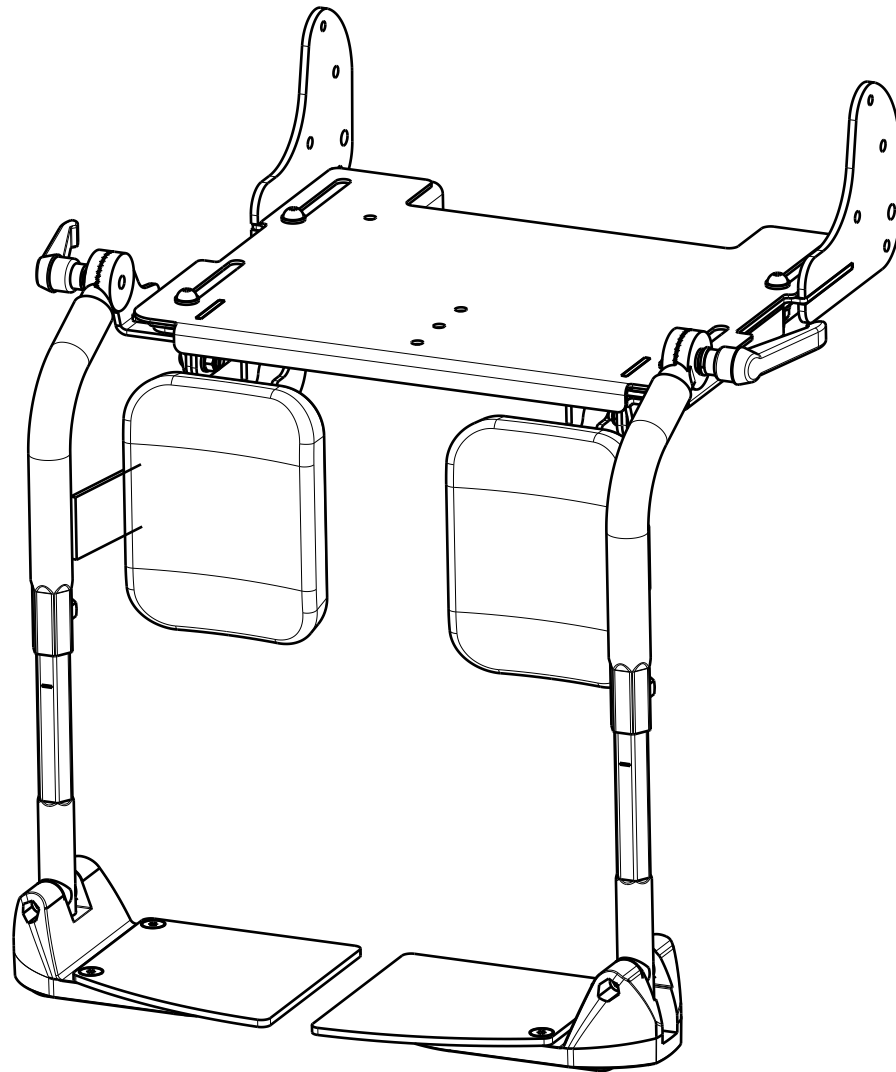


Isometric view
Scale: 1:8




EP00196 / A

B08 ADJUSTABLE LEGREST GEMINI 2/32; BAYO 32				Plan No. EP00196/ A
Scale: 1:4	Drafted	Verified	Confirmed	
Date	03/12/2014	03/12/2014	03/12/2014	
Initials	AZ	BS	TK	



Material			
No.	Plan	Article	Quantity
1	YP05014	28971...	1
2	YP05016	28973...	1
3	YP05017	28972...	1
4	YP05022	28975...	1
5	YP05023	28974...	1
6	YP05026	28976...	2
7	YP05028	28977...	1
8	YP05029	28978...	1
9	X000586	1005742	4
10	X003779	1900228	2
11	XP00007	2990000	2
12	D6,4 DIN 125 A	1001564	22
13	M8 DIN 127A	1001570	2
14	M6 DIN 985	1001680	14
15	M6x20	1006999	4
16	M8x10 DIN 916/45H	1008942	2
17	M6x16 DIN 7991/8.8	1994752	4
18	M6x16	1008459	4
19	Lever M8x15	1006661	2
20	M6x25 DIN 912/8.8	1001494	4
21	M6x45 DIN 912/8.8	1003109	2

EP00196 / A

B08 ADJUSTABLE LEGREST				Plan No.
GEMINI 2/32; BAYO 32				2/2 EP00196/ A
Scale: 1:4	Drafted	Verified	Confirmed	
Date	03/12/2014	03/12/2014	03/12/2014	
Initials	AZ	BS	TK	