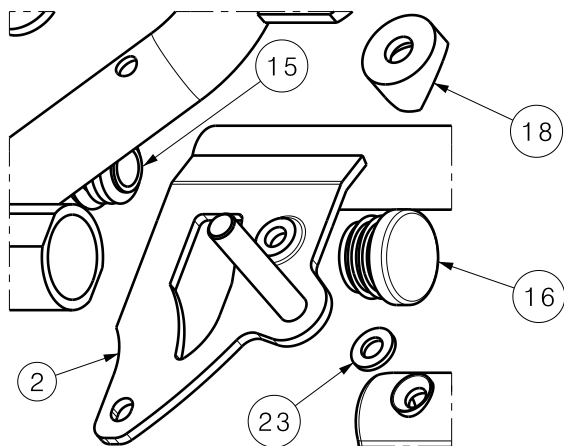




Detail A  
Scale / Schaal 1:2



REAR FRAME ECLIPS X4 - 90°				Plan No. / Plannr.
PAGE 1/2				EP00117/A
Scale / Schaal: 1:4	Drafted / Getekend	Verified / Nagezien	Confirmed / Bevestigd	
Date / Datum	07/06/2013	10/06/2013	10/06/2013	
Init. / Init.	BS	AS	TK	

Material							
No./Nr.	Plan / Plan	Article / Artikel	Number / Aantal	No./Nr.	Plan / Plan	Article / Artikel	Number / Aantal
1	Y005466	15470..	1	17	Y004759 (Ri/Re)	15280..	1
2	Y004874 (Ri/Re)	15277..	1		Y004747 (Le/Li)	15279..	1
	Y004873 (Le/Li)	15276..	1	18	X000862	1006463	1
3	YP04353	28818..	2	19	---	1009588	3
4	Y004794	15272..	1	20	X002730	1553300	2
5	Y004795	15296..	1	21	---	1994748	1
6	Y004390	15269..	1	22	---	1008492	7
7	X002539	1993795	1	23	---	1001564	5
8	X003852	1670082	1	24	---	1001486	1
9	X002540	1993796	1	25	---	1001534	4
10	X002480	1993793	1	26	---	1904106	1
11	---	1009800	2	27	---	1006111	1
12	X000582	1005740	1	28	---	1003109	2
13	X002679	1994452	1	29	---	1008459	1
14	X002074	1992183	1	30	---	1009748	1
15	---	1990648	1	31	---	F002907	1
16	---	1991857	2	32	---	1990146	1
				33	---	1994749	1
				34	---	1994750	1

REAR FRAME ECLIPS X4 - 90°				Plan No. / Plannr.
PAGE 2/2				EP00117/A
Scale / Schaal: 1:4	Drafted / Getekend	Verified / Nagezien	Confirmed / Bevestigd	
Date / Datum	07/06/2013	10/06/2013	10/06/2013	
Init. / Init.	BS	AS	TK	