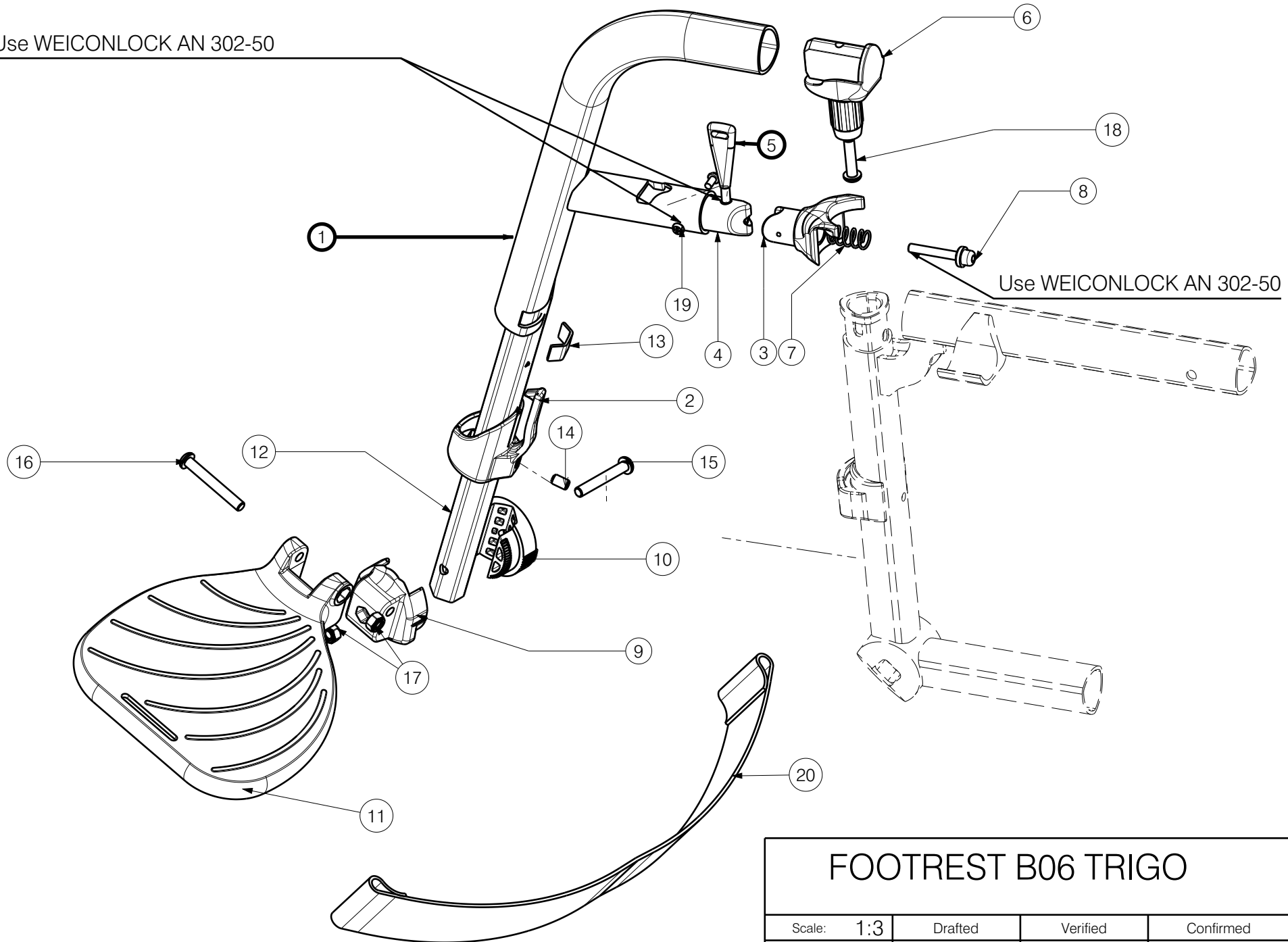


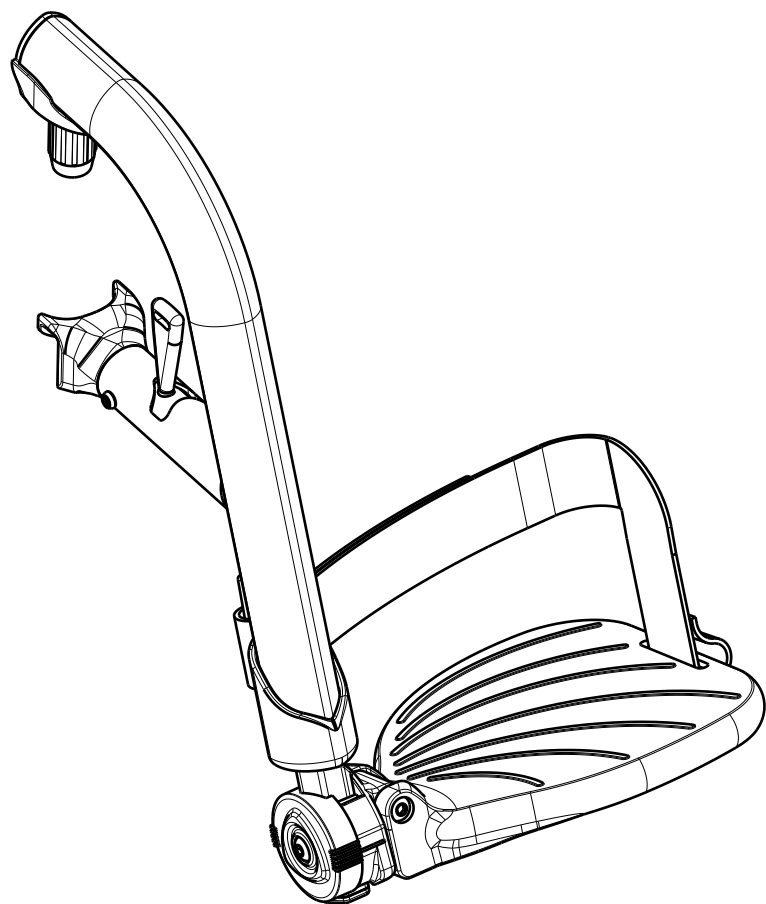
Use WEICONLOCK AN 302-50



Use WEICONLOCK AN 302-50

EP00250/D

<h1>FOOTREST B06 TRIGO</h1>				Plan No.
				EP00250/ D
Scale: 1:3	Drafted	Verified	Confirmed	
Date	23/10/2017	08/09/2022	08/09/2022	
Initials	AS	AZ	TK	



Material				
No.	Plan	Article	Quantity	
1	YP05383	27122..(70)	1	
	YP05531	27137..(80)	1	
	YP05536	27138..(90)	1	
2	XP01542	2993471	1	
3	XP01546	2993452	1	
4	XP01565	2993472	1	
5	XP02030	GP14499	1	
	XP01512	2993454	1	
7	XP01628	GP09100	1	
8	XP01523	GP08000	1	
9	XP02026	2993662	1	
10	XP02025	2993661	1	
11	XP01655(L)	2993501(38-40)	1	
	XP01656(R)	2993502(38-40)	1	
	XP01639(L)	2993475(42-44)	1	
	XP01640(R)	2993476(42-44)	1	
	XP01644(L)	2993480(46-48)	1	
	XP01643(R)	2993479(46-48)	1	
	XP01641(L)	2993477(50)	1	
	XP01642(R)	2993478(50)	1	
	12	YP06404	2730199	1
	13	Y016501	1733500	1
14	M6x12 DIN916	1005949	1	
15	M6x40 DIN912	2994066	1	
16	M6X45	2994086	1	
17	M6	2994063	2	
18	M6X25	2994062	1	
19	M3.5x9.5	2994075	2	
20	Belt	2994199	1	

EP00250 / D

<h1>FOOTREST B06 TRIGO</h1>			Page 2/2	Plan No.
				EP00250/ D
Scale: 1:3	Drafted	Verified	Confirmed	
Date	23/10/2017	08/09/2022	08/09/2022	
Initials	AS	AZ	TK	