

1907205

Sheet 1/2

E000722 / K

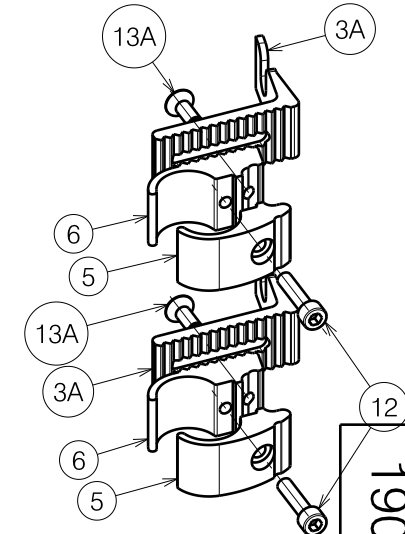
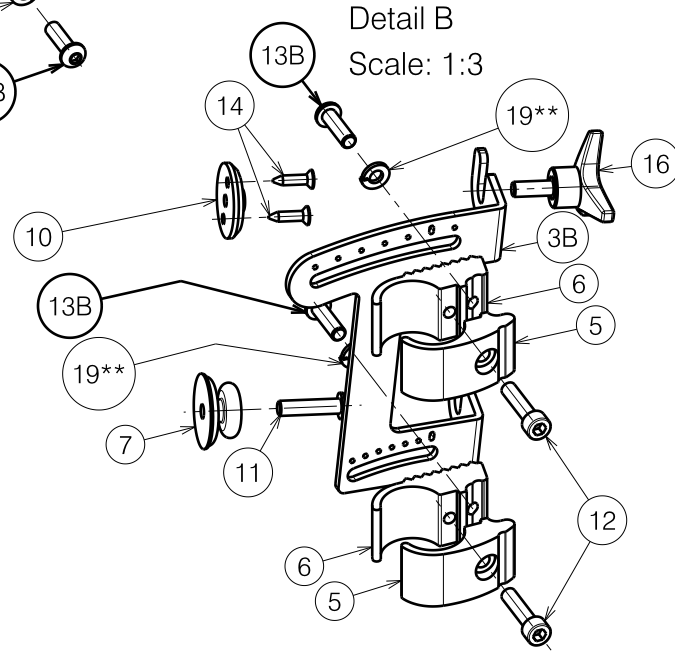
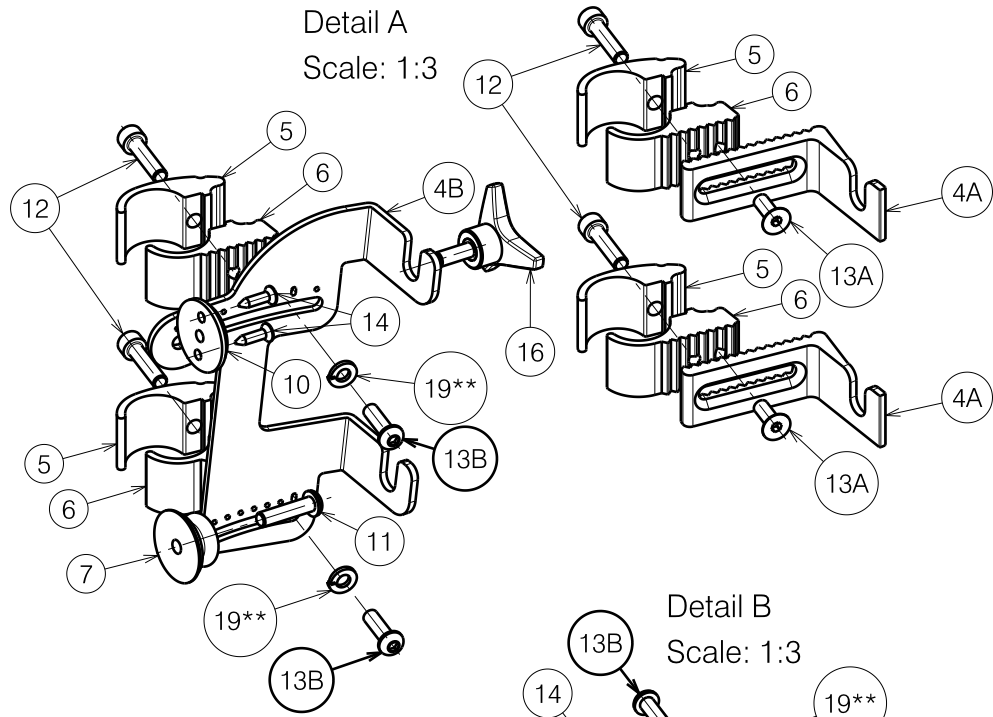
V-SERIES L14-L14I/L15 SOFT V-SERIE L14-L14I/L15 SOFT				Plan No. E000722 / K
Scale: 1:6	Drafted	Verified	Confirmed	
Date	06/04/2011	29/01/2018	29/01/2018	
Initials	SD	TT	PJ	

Material			
No.	Plan	Article	Quantity
1	---	1907021 (39)	1
	---	1907022 (42)	1
	---	1907023 (44)	1
	---	1907024 (46)	1
	---	1907027 (48)	1
	---	1907028 (50)	1
	2	---	1907032 (39)
---		1907033 (42)	1
---		1907034 (44)	1
---		1907035 (46)	1
---		1907036 (48)	1
---		1907037 (50)	1
3A	X004822	1744732 (L)	2
3B	Y021697	2018954 (L)	1
4A	X004823	1744832 (R)	2
4B	Y021698	2019054 (R)	1
5	X004820	1744532 (Ø22)	4
	X004832	1744932 (Ø25,4)	4
6	X004821	1744632 (Ø22)	4
	X004833	1745032 (Ø25,4)	4
	X004861	1906454	2
8	---	3992114	2
9	---	3992113	2
10	X001052	G066600	2
11	M6x25	1006998	2
12	M6x25 DIN912/8.8	1001494	4
13A	M6x16 DIN7991/8.8	1994752	4
13B	M6x20	1006999	4
13*	M6x10 DIN7991/8.8	1904683 (SD 44)	4
14	Ø3.9x16 DIN7982	1005767	4
15	M6x16	1008459	8
16	M6x15	1009933	2
17	M6 DIN125A	1001564	8
18	Y021630	2013104	4
19**	M6 DIN127B	1004414	4

Ø22: V200 - V300  
 Ø25.4: V100 - V100D - V200D - V300D

E000722 / K

\* = Not Depicted  
 \*\* = Angle adjustable hooks



1907205

Sheet 2/2

V-SERIES L14-L14I/L15 SOFT				Plan No. E000722 / K
V-SERIE L14-L14I/L15 SOFT				
Scale: 1:6	Drafted	Verified	Confirmed	
Date	06/04/2011	29/01/2018	29/01/2018	
Initials	SD	TT	PJ	