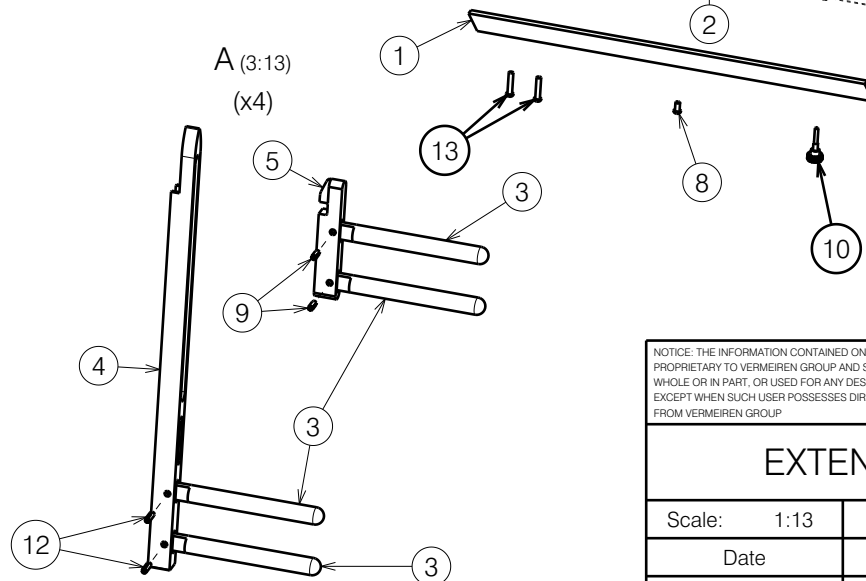



| No. | Plan | Article | Qty |
|-----|---------------|---------|-----|
| 1 | P00024926 | 2642900 | 2 |
| 2 | YP05274 | 2706237 | 1 |
| 3 | X001495 | 1401800 | 16 |
| 4 | X002321 | 1993073 | 4 |
| 5 | XP00380 | 2990359 | 4 |
| 6 | XP01354 | 2992393 | 8 |
| 7 | XP01453 | 2992928 | 4 |
| 8 | M8x16 ISO7380 | 1991858 | 2 |
| 9 | D3x8 DIN7343 | 1993130 | 8 |
| 10 | P00058901 | 2997834 | 2 |
| 11 | --- | --- | --- |
| 12 | SPANBUS D3x10 | 1008674 | 8 |
| 13 | M8x40 ISO7380 | 1008739 | 4 |



NOTICE: THE INFORMATION CONTAINED ON THIS DRAWING IS PROPRIETARY TO VERMEIREN GROUP AND SHALL NOT BE DISCLOSED IN WHOLE OR IN PART, OR USED FOR ANY DESIGN OR MANUFACTURE, EXCEPT WHEN SUCH USER POSSESSES DIRECT WRITTEN AUTHORISATION FROM VERMEIREN GROUP.

| EXTENSION PART SET / CLUB UL | | | |
|------------------------------|------------|------------|------------|
| Scale: | 1:13 | Drafted | Verified |
| Date | 22.03.2023 | 11/03/2024 | 11/03/2024 |
| Initials | AZ | MK | AZ |

| |
|---|
| --- |
| Plan No. E00055854/C.1 |
|  |