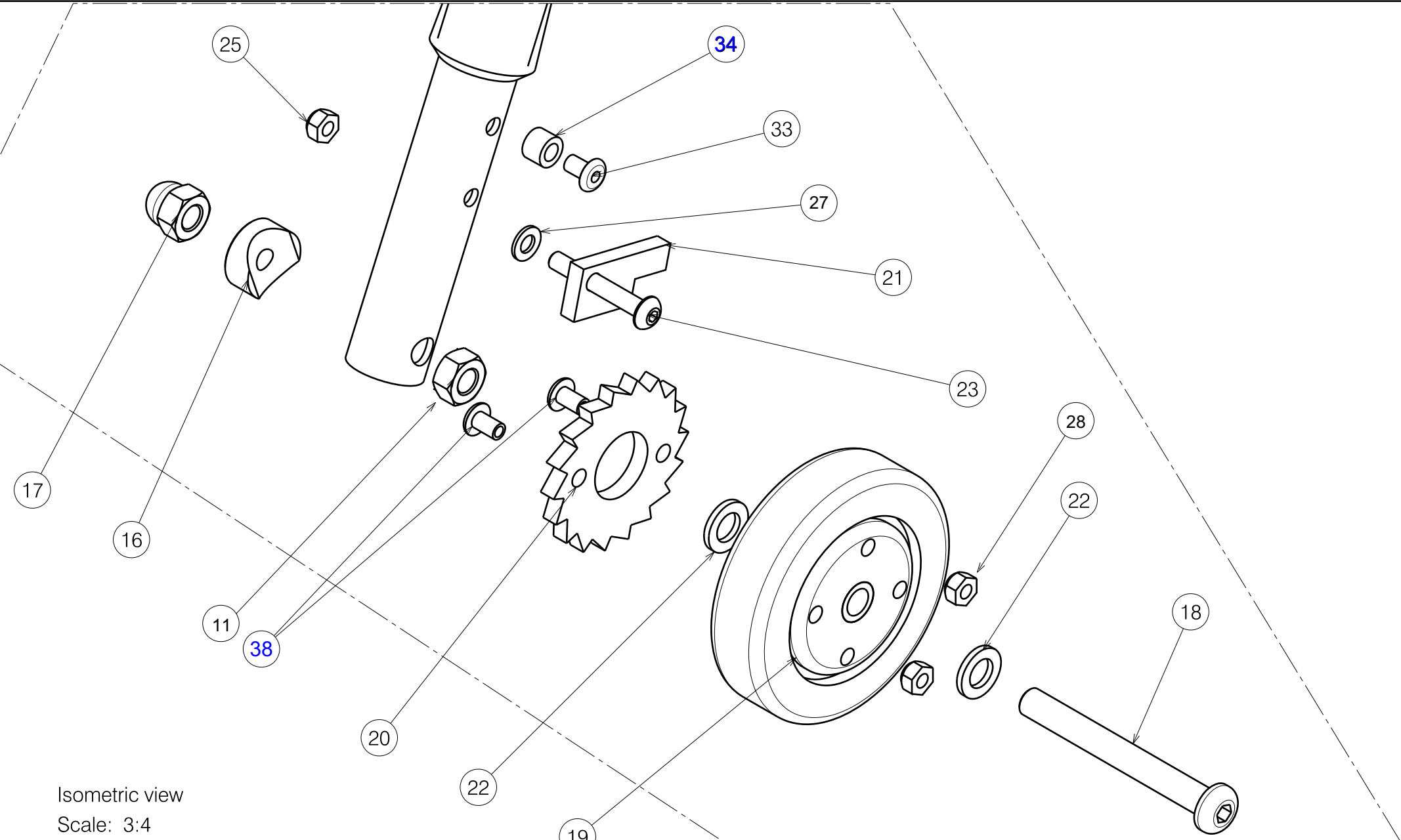


EC00016/B

WALKING AIDS-STREETER PIVOTING WHEELS			1/4	Plan No. / Nr.rys. EC00016/B
Scale / Skala 1:6	Drafted / Rysował	Verified / Sprawdzil	Confirmed / Zatweirdzil	
Date / Data	21/05/10	21/05/10	21/05/10	
Init. / Inic.	Lydia	JJQ	TG	

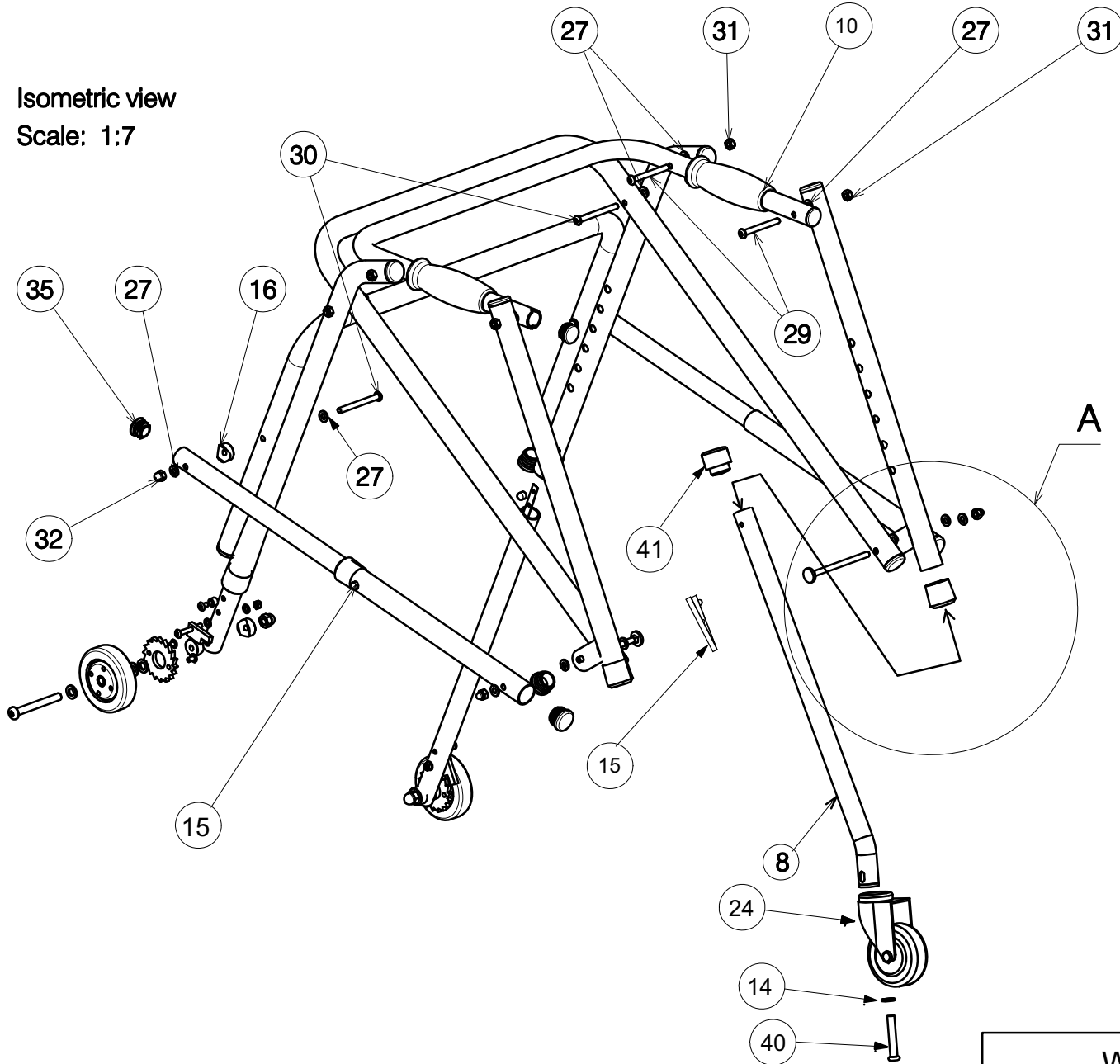


Isometric view
Scale: 3:4

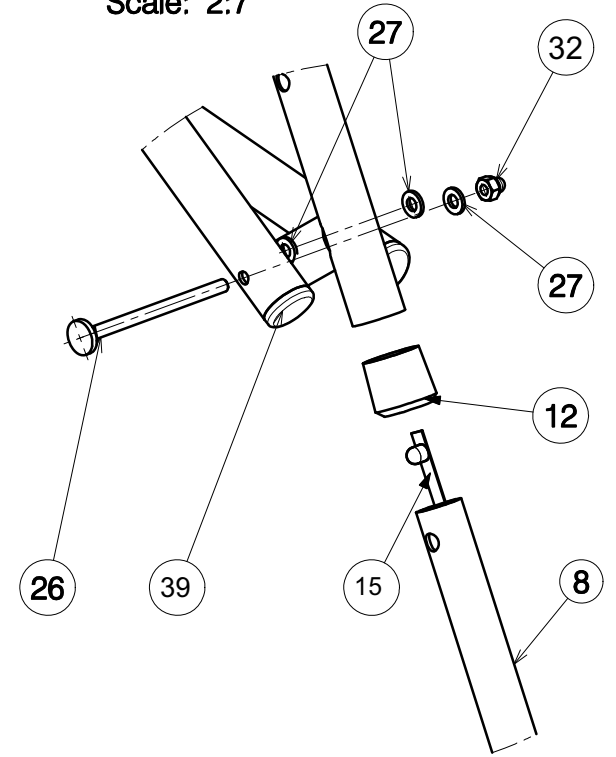
EC00016/B

WALKING AIDS-STREETER PIVOTING WHEELS			2/4	Plan No. / Nr.rys.
				EC00016/B
Scale / Skala: 3:4	Drafted / Rysował	Verified / Sprawdzil	Confirmed / Zatweirdzil	
Date / Data	17/12/10	17/12/10	16/12/10	
Init. / Inic.	JJQ	JJQ	TG	


Isometric view
Scale: 1:7



Detail A
Scale: 2:7



EC00016/B


WALKING AIDS-STREETER PIVOTING WHEELS			3/4	Plan No. / Nr.rys.
				EC00016/B
Scale / Skala 3:4	Drafted / Rysował	Verified / Sprawdzil	Confirmed / Zatwierdzil	
Date / Data	17/12/10	17/12/10	16/12/10	
Init. / Inic.	Lydia	JJQ	TG	

Material			
No./Nr	Plan/Plan	Article/Artiykul	Number/Ilosc
STREETER S / CHODZIK S			
1	YP01583	18717	1
2	YP01584	18718	1
3	YP01589	18719	1
4	YP01590	18720	1
5	YP01586	18721	1
6	YP01591	18722	2
7	YP01592	1872332	2
8	YC00109	1C03732	2
9	YP01594	1872532	2
STREETER M / CHODZIK M			
1	YP01222	18726	1
2	YP01117	18727	1
3	YP01220	18728	1
4	YP01221	18729	1
5	YP01111	18730	1
6	YP01118	18731	2
7	YP01119	1873232	2
8	YC00110	1C03832	2
9	YP01131	1873432	2
STREETER L / CHODZIK L			
1	YP01219	18735	1
2	YP01174	18736	1
3	YP01217	18737	1
4	YP01218	18738	1
5	YP01132	18739	1
6	YP01153	18740	2
7	YP01154	1874132	2
8	YC00111	1C03932	2
9	YP01156	1874332	2

Material			
	Plan/Plan	Article/Artiykul	Number/Ilosc
STREETER XL /CHODZIK XL			
1	YP01225	18744	1
2	YP01162	18745	1
3	YP01223	18746	1
4	YP01224	18747	1
5	YP01158	18748	1
6	YP01163	18749	2
7	YP01164	1875032	2
8	YC00112	1C04032	2
9	YP01167	1875232	2
10		3990086	2
11		1001682	2
12	XP00028	2990012	6
13	-	1001608	10
14		1001566	2
15		3990085	6
16		1006463	4
17	M8	1902024	2
18	M8x70	1996723	2
19	X003716	1998880	2
20	X003647	1998678	2
21	X003648	1998679	2
22	M8	1001554	4
23	M5x35	2990115	2
24		1001255	2
25	M5	1001679	2
26	M6x87	1902834	2

Material			
No./Nr	Plan/Plan	Article/Artiykul	Number/Ilosc
27	M6	1000973	16
28	M5	1992804	4
29	M6x55	1997879	4
30	M6x60	1992915	2
31	M6	1001680	6
32	M6	1008492	4
33		1001589	2
34	XP00387	2990426	2
35		1990648	4
38	M5x32	1902835	4
39		1991857	2
40		1001502	2
41	XC00034	3990094	4

EC00016/B

WALKING AIDS-STREETER PIVOTING WHEEL			4/4	Plan No. / Nr.rys. EC00016/B
Scale / Skala 1:1	Drafted / Rysował	Verified / Sprawdził	Confirmed / Zatwierdził	
Date / Data	17/12/10	17/12/10	16/12/10	
Init. / Inic.	JJQ	JJQ	TG	