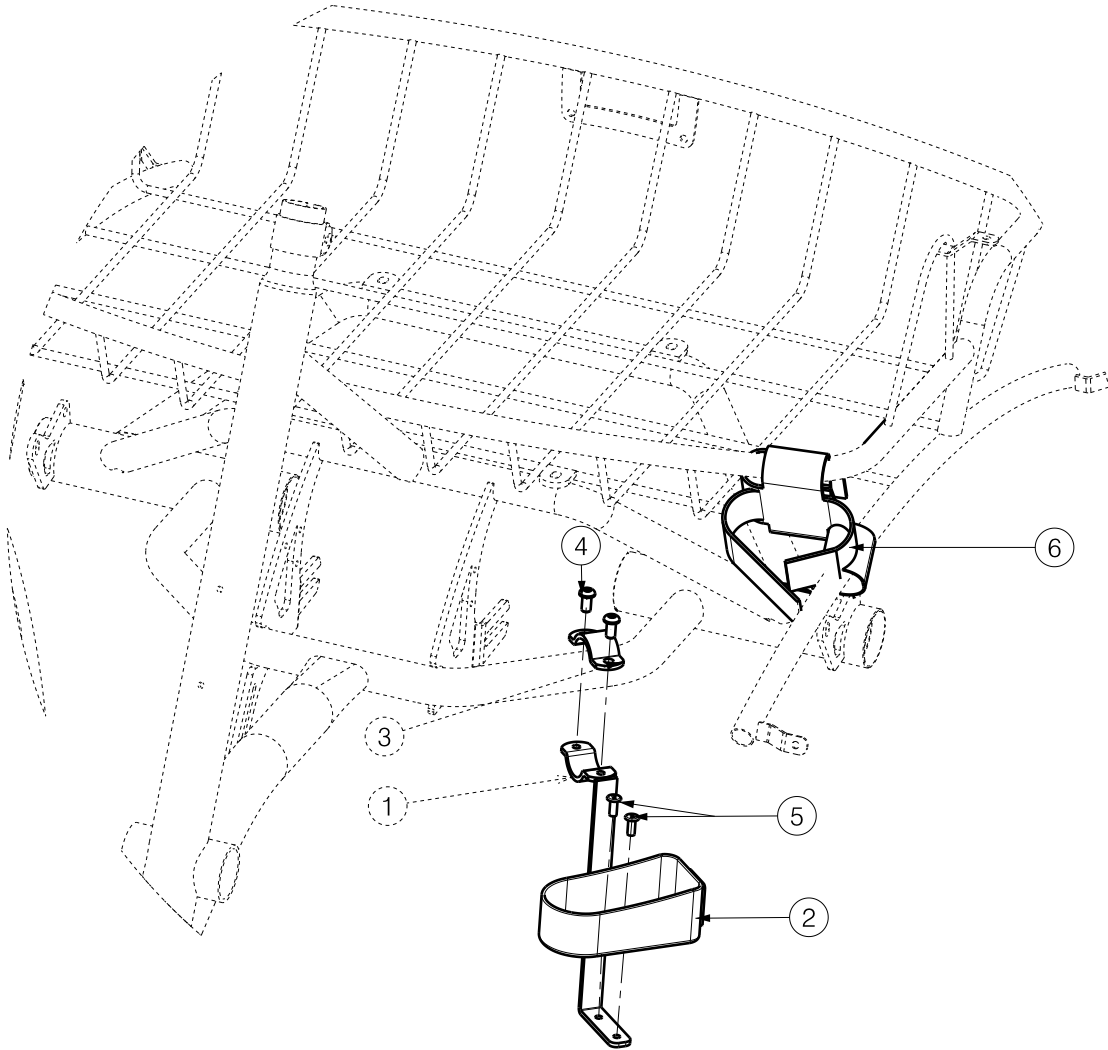


Material			
No.	Plan	Article	Quantity
1	YP04846	2874004	1
2	Rolko_420122	1995395	1
3	Y002783	1436104	1
4	M6	1007000	2
5	Rivet_4.8x12	1001585	2
6	Belt	2992347	1



EP00176 / B

Crutch holder 2217/2219				Plan No.
				EP00176/ B
Scale: 1:5	Drafted	Verified	Confirmed	
Date	28/06/2014	08/07/2014	08/07/2014	
Initials	AS	BS	TK	