

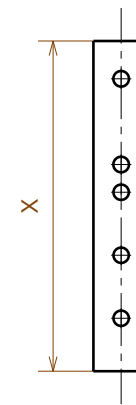
EP00375 / H

BACKREST FOLDED WITH HEIGHT ADJUSTMENT AND FOLDABLE HANDLE				Plan No. EP00375/ H
Page 1/2				
Scale: 1:3	Drafted	Verified	Confirmed	
Date	14/02/2019	16/08/2022	16/08/2022	
Initials	AS	AZ	TK	



Material (25-27,5)			
No.	Plan	Article	Quantity
1	YP08101	2607665	1
***2	YP08103	2607765	1

Material (40-45)			
No.	Plan	Article	Quantity
1	YP07077	2745465	1
2	YP07060	2744665	1



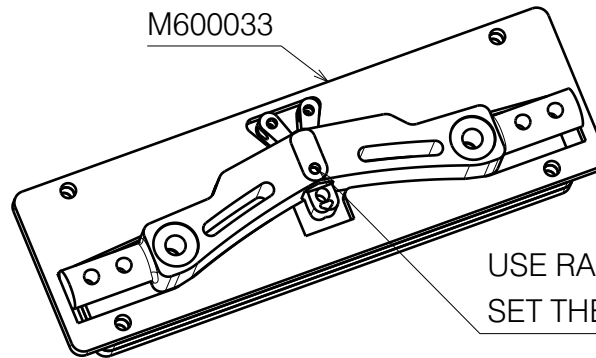
Plan	X
YP08103(25-27,5)	64mm
YP07062(35-40)	146mm
YP07060(40-45)	173mm
YP07061 (45-50)	223mm
YP07063(50-55)	273mm

Material (35-40)			
No.	Plan	Article	Quantity
1	YP07077	2745465	1
****2	YP07062	2744565	1

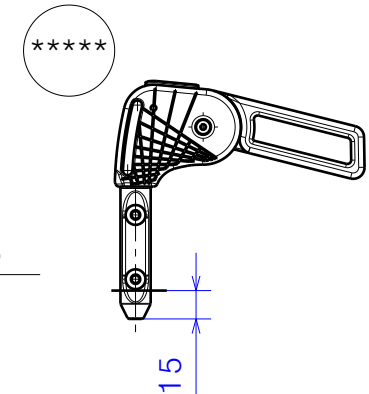
Material (45-50)			
No.	Plan	Article	Quantity
1	YP07081	2745565	1
2	YP07060	2744665	1

Material			
No.	Plan	Article	Quantity
3	XP01632	GP09399	1
4	XP01631	GP09299	1
5	XP01861	GP12900	1
6	XP01633	GP09500	1
7	XP01862	GP13200	1
8	XP03093	GP00286	1
9	XP02407	GP17800	1
10	XP03203	GP25700	1
11	M4x12	1907582	2
12	M5x12 DIN7991	2994076	2
13	M6	2994059	3
14	WASHERM6	2994068	1
15	M6x30DIN7991	2994116	2
16	M6x30	1992721	1
17	Washer M8	1001556	2
18	M6x10 DIN916	2994284	2
19	M6X10	2994127	2
20	Fold. push handle	EP00246	1
* 21	Cap D22	1990648	1
22	Y004353	F000411	1
** 23	---	1000899	1
** 24	---	2993049	1
** 25	---	2991192	1
** 26	---	T001063	0,05m

Material (50-55)			
No.	Plan	Article	Quantity
1	YP07081	2745565	1
2	YP07061	2744765	1



USE RADIAL RIVETING MACHINE



- * When unused folding handle
- ** Used to connect left and right side, use one per wheelchair
- *** Folding handle not possible for YP08103!
- **** When the folding handle is not used, the backrest is 4cm lower
- ***** For sizes 35-40(YP07062), pos. 20 should be cut by 15mm and a 2.5mm strip should be used

BACKREST FOLDED WITH HEIGHT ADJUSTMENT AND FOLDABLE HANDLE				Plan No.
Page 2/2				EP00375/ H
Scale: 1:3	Drafted	Verified	Confirmed	
Date	14/02/2019	16/08/2022	16/08/2022	
Initials	AS	AZ	TK	

EP00375 / H