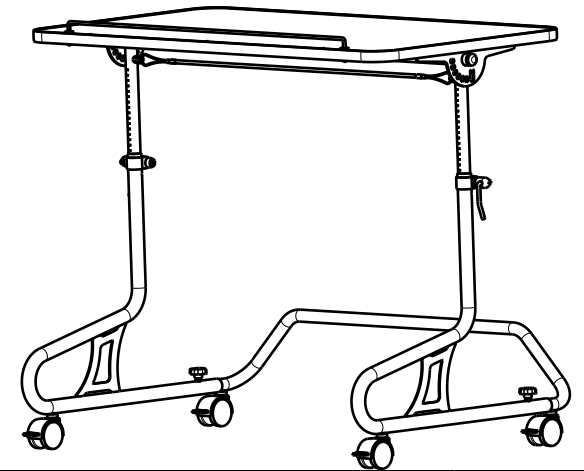


Material			
No.	Plan	Article	Quantity
1	YP04629	2893700	1
2	YP04651	2893938	1
3	YP04643	2894000	1
4	YP04654	2894238	2
5	YP04666	2893800	1
6	XP01451	2705900	1
7	---	1992400	2
8	XP01135	2992936	1
9	XP01146	2894300	2
10	---	1990648	2
11	M4x22	2993122	3
12	---	2990455	2
13	D4x16	1003021	8
14	---	1003279	0,4[m]
15	---	1992149	1
16	---	H005006	0,1[m]
17	---	1908666	4
18	Starknob M6x10	1003658	2
19*	---	2991192	2
20*	Box 720x590x970	U000245	1



\* not depicted

EP00185 / I

378 TABLE				Plan No.
				EP00185 / I
Scale: 1:8	Drafted	Verified	Confirmed	
Date	17/09/2014	28/01/2019	28/01/2019	
Initials	AZ	AZ	TK	