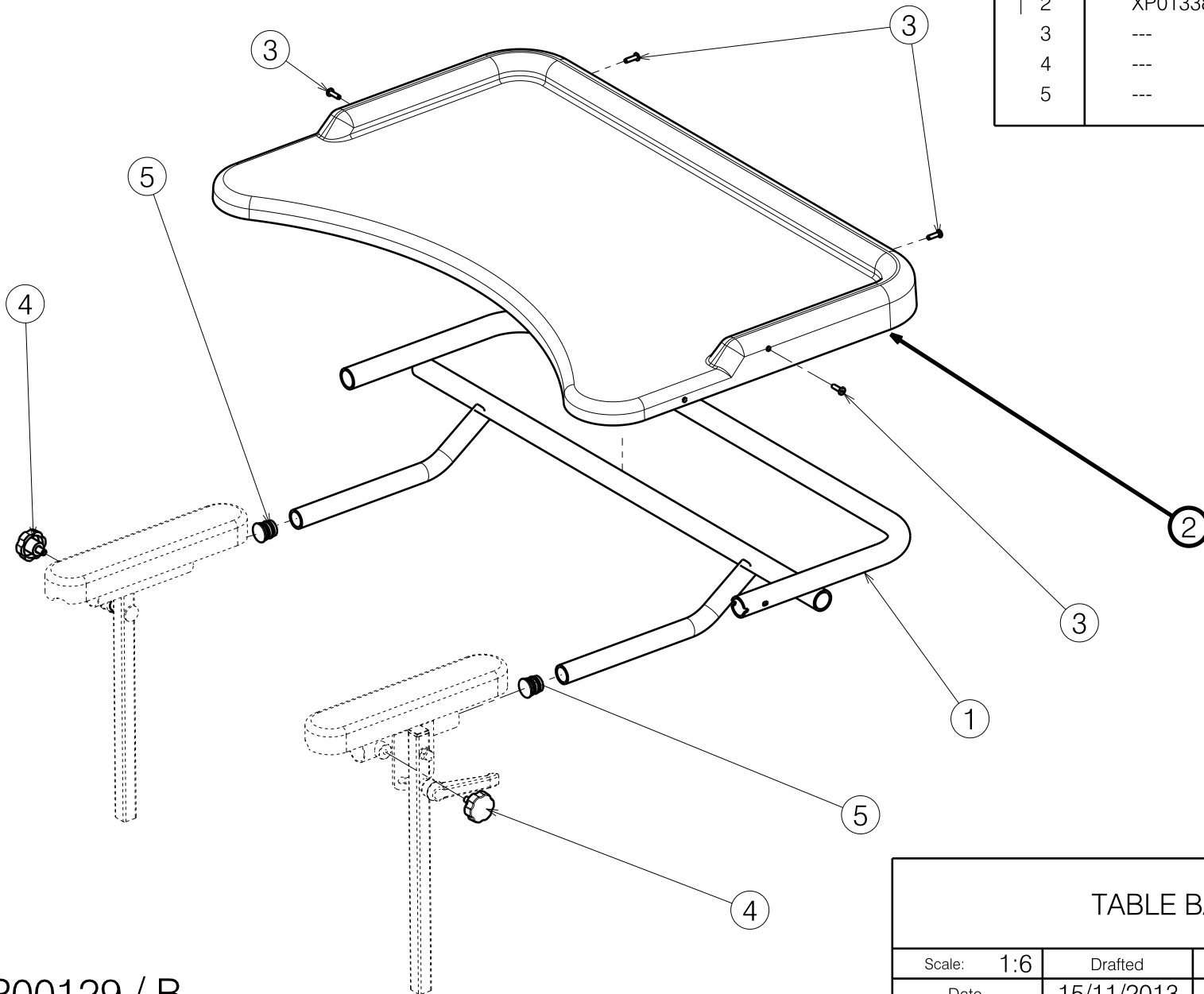


Material				
No.	Plan	Article	Quantity	
1	YP04624	2871054	1	
		2871099	1	
2	XP01338	2992968	1	
		---	1001584	4
		---	1003658	2
5	---	2990095	2	



EP00129 / B

TABLE BAYO 40				Plan No.
				EP00129/ B
Scale: 1:6	Drafted	Verified	Confirmed	
Date	15/11/2013	03/06/2020	03/06/2020	
Initials	WM	AZ	TK	