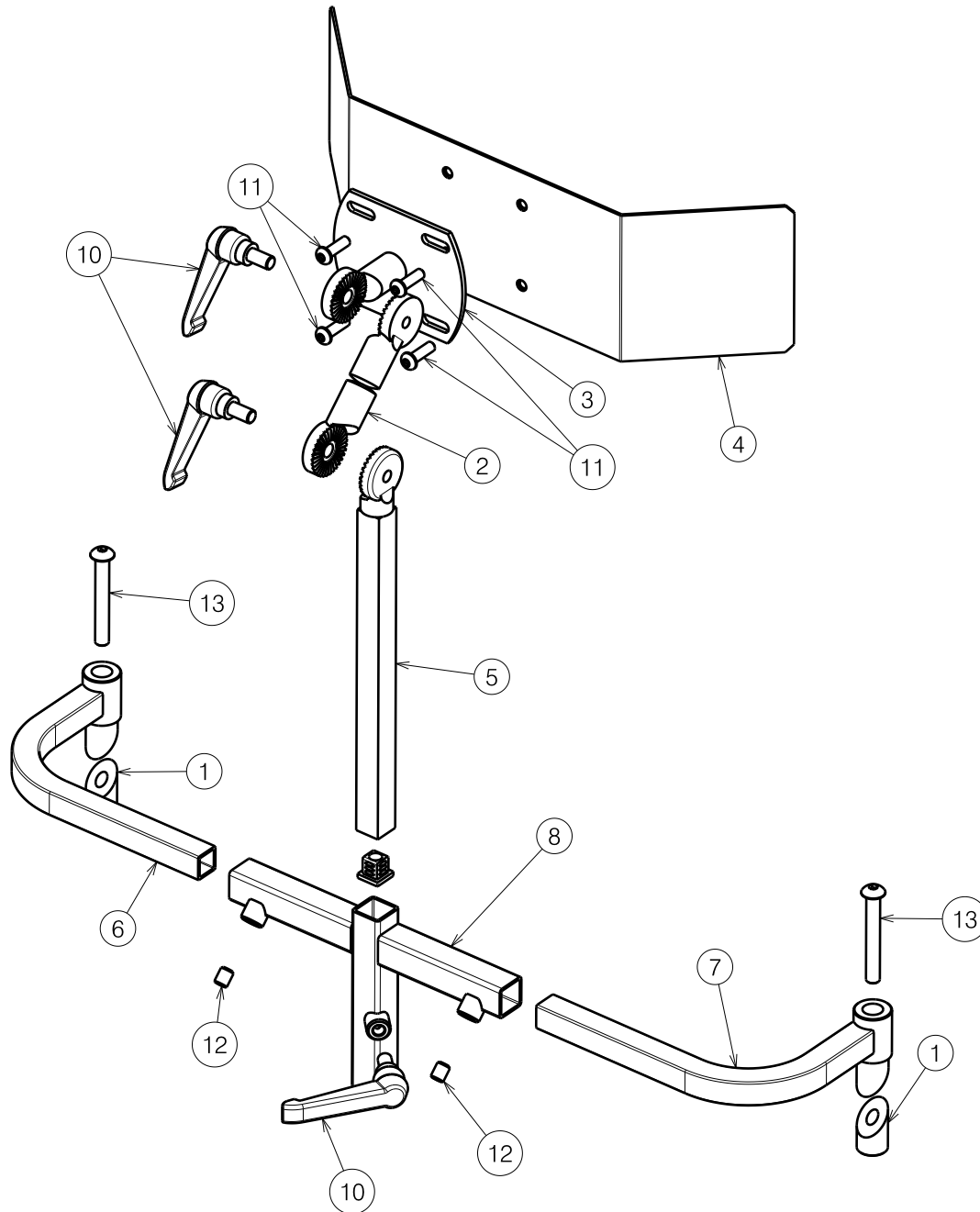


Material			
No.	Plan	Article	Quantity
1	X004986	1765900	2
2	Y003413	1463204	1
3	Y003414	1463304	1
4	Y003416	B000272	1
5	Y007779	1607904	1
6	Y018207	1766054	1
7	Y018208	1766154	1
8	Y018302	1766254	1
9	15x15	1005899	1
10	M8x15	1006661	3
11	M6x20 ISO7380	1006999	4
12	M8x10 DIN916	1008942	2
13	M8x60 ISO7380	1900809	2
14*	Soft Grey	1907019	1
	Cordura	1912437	1
	Black Skai	1911716	1

* Not depicted



E001071 / A

L55/B47 TYPE NAVIX / FOREST 3 / TIMIX				Plan No.
				E001071 / A
Scale: 1:4	Drafted	Verified	Confirmed	
Date	18/04/2017	18/04/2017	18/04/2017	
Initials	SD	SD	PJ	