

Degrease the screws before using the adhesive.

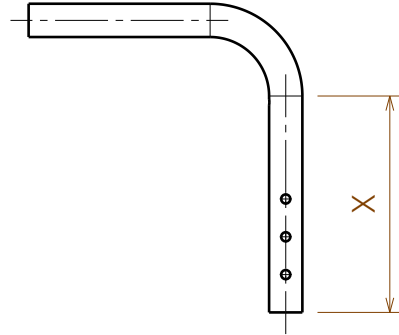
Detail B
Scale: 3:5

Drawing shows only right side

EP00373 / H

BACKREST ADJUSTABLE ANGLE AND ADJUSTABLE HIGHT TRIGO Page 1/2				Plan No. EP00373/ H
Scale: 3:10	Drafted	Verified	Confirmed	
Date	13/02/2019	16/08/2022	16/08/2022	
Initials	AS	AZ	TK	

Material			
No.	Plan	Article	Quantity
3	XP02061	GP14700	1
4	XP01862	GP13200	1
5	M4x12	1907582	2
6	XP01632	GP09399	1
7	XP01861	GP12900	1
8	M5x12 DIN 7991	2994076	2
9	M6x30	1992721	1
10	M6	2994059	1
11	WASHERM6	2994068	1
12	Hand grip GR-KS	2993809	1
*	GR-ERGO-S(120/80)	2993810	1
13	Y004353	F000411	1



Plan	X
YP08608 (30-35),(35-40)	143,1mm
YP08609 (40-45)	193,1mm
YP08610 (45-50)	243,1mm

* Optional (depending on the length)

Material (30-35)			
No.	Plan	Article	Quantity
1	YP07083	2745665	1
2	YP08608	2622965	1

Material (35-40)			
No.	Plan	Article	Quantity
1	YP07084	2745765	1
2	YP08608	2622965	1

Material (40-45)			
No.	Plan	Article	Quantity
1	YP07084	2745765	1
2	YP08609	2623065	1

Material (45-50)			
No.	Plan	Article	Quantity
1	YP07084	2745765	1
2	YP08610	2623165	1

EP00373 / H

BACKREST ADJUSTABLE ANGLE AND ADJUSTABLE HIGHT TRIGO Page 2/2				Plan No.
				EP00373/ H
Scale: 3:10	Drafted	Verified	Confirmed	
Date	13/02/2019	16/08/2022	16/08/2022	
Initials	AS	AZ	TK	