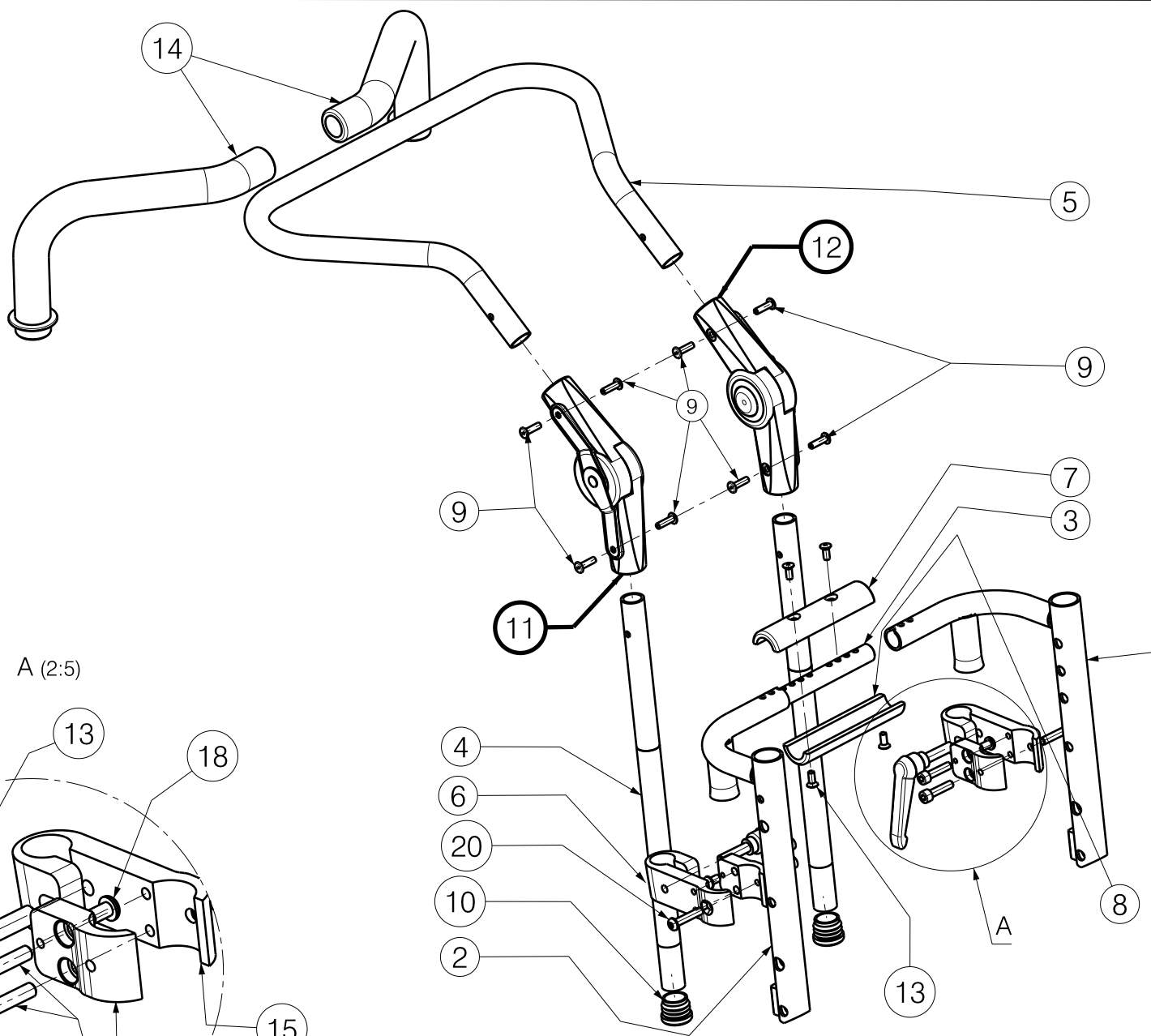
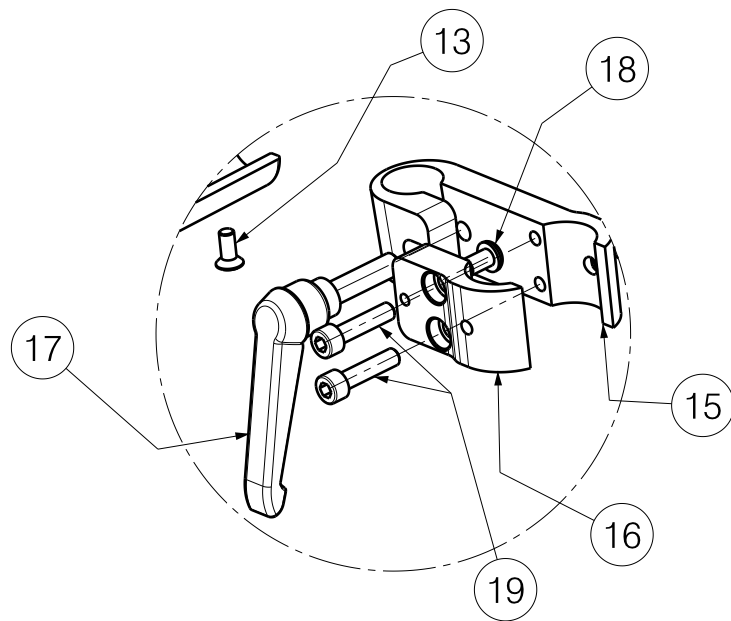



Material			
No.	Plan	Article	Quantity
1	YP03022(24-28)	28226	1
	YP03024(30-34)	28224	1
2	YP03021(24-28)	28225	1
	YP03023(30-34)	28223	1
3	XP00674	2990916	1
4	YP03029	2823054	2
5	YP03025(24-28)	2822754	1
	YP03026(30-34)	2822854	1
6	XP00874	2829254	1
	XP00934	2836754	1
7	XP00749	2991070	1
8	XP00675	2990915	1
9	---	1001586	8
10	---	1001602	2
11	---	2990149	1
12	---	2990085	1
13	---	2990933	4
14	---	2990087	1
15	XP00875	2829354	1
	XP00933	2836654	1
16	XP00876	2829454	2
	XP00935	2836854	2
17	M8x30	2991658	2
18	M6x10	1900641	2
19	M6x25	1001494	4
20	M6x30	1009588	2



A (2:5)



EP00038/E

BACKREST SAGITTA KIDS				Plan Number
				EP00038/E
Scale: 1:4	Drafted	Verified	Confirmed	
Date	06/06/2011	06/03/2018	06/03/2018	
Initials	AS	AS	TK	