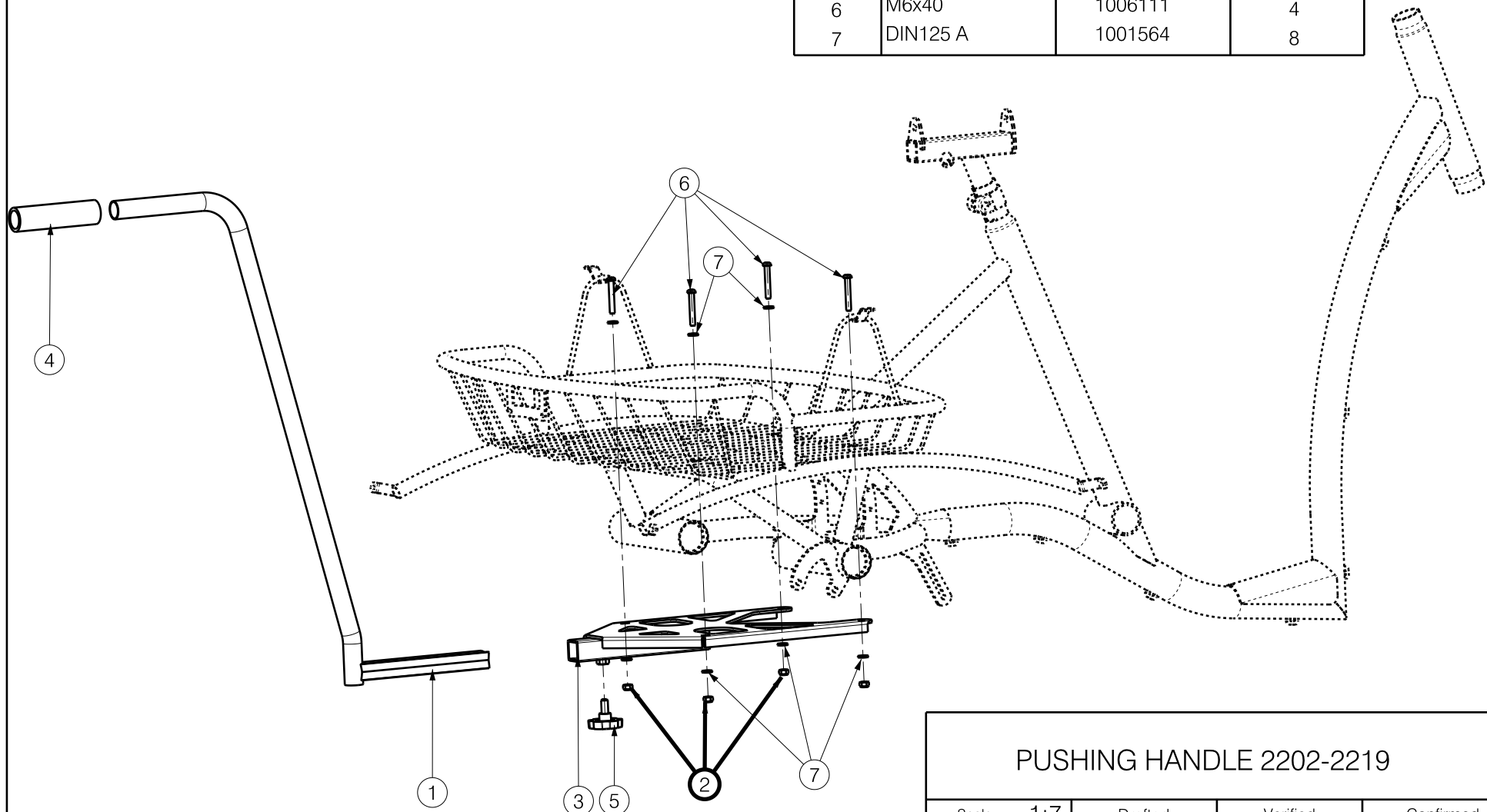


Material			
No.	Plan	Article	Quantity
1	YP04833	2869404	1
2	M6-DIN985	1001680	4
3	YP04852 (2219)	2874504	1
	YP04849 (2217)	2874604	1
	YP04842 (2202/15)	2869504	1
4	---	1990767	1
5	M8X16	2990024	1
6	M6x40	1006111	4
7	DIN125 A	1001564	8



EP00175 / C

PUSHING HANDLE 2202-2219				Plan No.
				EP00175 / C
Scale: 1:7	Drafted	Verified	Confirmed	
Date	27/06/2014	16/05/2017	16/05/2017	
Initials	AS	AS	TK	